



US00D615535S

(12) **United States Design Patent**  
**Richardson et al.**

(10) **Patent No.:** **US D615,535 S**

(45) **Date of Patent:** **\*\* May 11, 2010**

(54) **CASE**

(75) Inventors: **Curtis R. Richardson**, Fort Collins, CO (US); **Jamie L. Johnson**, Fort Collins, CO (US)

(73) Assignee: **Otter Products, LLC**, Fort Collins, CO (US)

(\*\*) Term: **14 Years**

(21) Appl. No.: **29/338,909**

(22) Filed: **Jun. 19, 2009**

(51) **LOC (9) Cl.** ..... **14-03**

(52) **U.S. Cl.** ..... **D14/250**

(58) **Field of Classification Search** ..... D14/140, D14/142, 167, 217, 218, 240, 242, 248, 250–253, D14/299, 138 AA, 345, 341, 440; D3/200–201, D3/218–219, 228, 269, 301, 273; D13/103, D13/107–108, 119; 220/4.02; 224/191, 224/240, 241, 245, 682–683; 248/206.2–206.4, 248/220.21, 279.1, 309.1; 361/679.3, 679.56; 379/420.04, 426, 433.11, 446–447, 454, 379/455; 455/575.1, 575.6, 575.7, 575.8, 455/575.9; 190/100; 206/305, 320

See application file for complete search history.

(56) **References Cited**

**U.S. PATENT DOCUMENTS**

2,392,787 A	1/1946	Vermot	
D178,902 S	10/1956	Relman	
D216,853 S	3/1970	Schurman	
D220,233 S	3/1971	Schurman	
D275,822 S	10/1984	Gatland et al.	
4,703,161 A	10/1987	McLean	
4,762,227 A	8/1988	Patterson	
D312,534 S *	12/1990	Nelson et al.	D3/228
5,092,459 A	3/1992	Ujjanic et al.	
D327,646 S	7/1992	Hardigg et al.	
D329,747 S	9/1992	Embree	
D330,329 S	10/1992	Brightbill	
5,175,873 A	12/1992	Goldenburg et al.	
D335,220 S	5/1993	Ward	

D342,609 S	12/1993	Brightbill	
D347,324 S	5/1994	Dickenson	
D347,732 S	6/1994	Wentz	
D353,048 S	12/1994	VanSkiver et al.	
D378,020 S *	2/1997	Hatt	D3/218
D381,512 S	7/1997	Green	
D386,611 S	11/1997	Sheu	
D402,105 S	12/1998	Erickson	
D409,374 S	5/1999	Laba et al.	
D412,062 S	7/1999	Potter et al.	
D413,202 S	8/1999	Schmitt et al.	
D413,203 S	8/1999	Zurwelle et al.	

(Continued)

**OTHER PUBLICATIONS**

iPhone Defender Case, <URL:http://www.otterbox.com/iphone-defender-case/>, retrieved from internet Dec. 21, 2009.\*

(Continued)

*Primary Examiner*—Robert M Spear  
*Assistant Examiner*—Carla Jobe Wright  
(74) *Attorney, Agent, or Firm*—William W. Cochran;  
Cochran Freund & Young LLC

(57) **CLAIM**

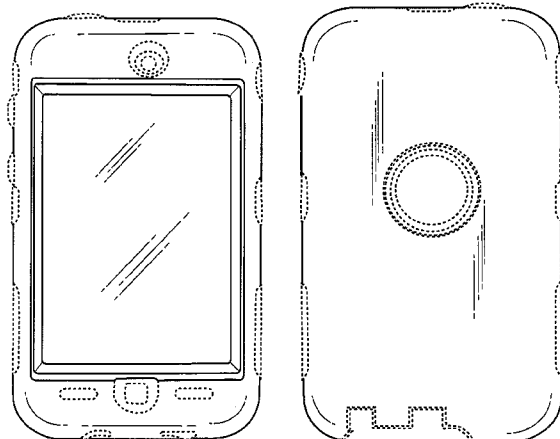
The ornamental design for a case, as shown and described.

**DESCRIPTION**

FIG. 1 is an isometric view of a case showing our new design.  
FIG. 2 is a front view thereof.  
FIG. 3 is a back view thereof.  
FIG. 4 is a left side view thereof.  
FIG. 5 is a right side view thereof.  
FIG. 6 is a top view thereof; and,  
FIG. 7 is a bottom view thereof.

The broken line portions of the disclosure are for illustrative purposes only and form no part of the claimed design.

**1 Claim, 7 Drawing Sheets**



U.S. PATENT DOCUMENTS

D419,297 S 1/2000 Richardson et al.  
 D419,767 S 2/2000 Richardson et al.  
 D419,768 S 2/2000 Richardson et al.  
 6,031,524 A 2/2000 Kunert  
 6,041,924 A 3/2000 Tajima  
 6,049,813 A 4/2000 Danielson et al.  
 D423,772 S 5/2000 Cooper et al.  
 6,068,119 A 5/2000 Derr et al.  
 6,094,785 A 8/2000 Montgomery et al.  
 D433,798 S 11/2000 Weinstock  
 D439,407 S 3/2001 Parker  
 6,215,474 B1 4/2001 Shah  
 6,239,968 B1 5/2001 Kim et al.  
 6,273,252 B1 8/2001 Mitchell  
 6,301,100 B1 10/2001 Iwata  
 6,313,892 B2 11/2001 Gleckman  
 6,388,877 B1 5/2002 Canova, Jr. et al.  
 D459,346 S \* 6/2002 Powell ..... D14/250  
 6,415,138 B2 7/2002 Sirola et al.  
 6,445,577 B1 9/2002 Madsen et al.  
 6,456,487 B1 9/2002 Hetterick et al.  
 6,471,056 B1 10/2002 Tzeng et al.  
 D465,330 S 11/2002 Parker  
 D470,659 S 2/2003 Story et al.  
 6,519,141 B2 2/2003 Tseng et al.  
 6,536,589 B2 3/2003 Chang  
 D472,384 S 4/2003 Richardson  
 6,646,864 B2 11/2003 Richardson et al.  
 6,665,174 B1 12/2003 Derr et al.  
 D485,834 S \* 1/2004 Davetas ..... D14/250  
 D499,091 S \* 11/2004 Taylor et al. .... D14/252  
 D513,123 S 12/2005 Richardson et al.  
 D513,451 S 1/2006 Richardson et al.  
 D514,808 S 2/2006 Morine et al.  
 6,995,976 B2 2/2006 Richardson et al.  
 D516,309 S 3/2006 Richardson et al.  
 D516,553 S 3/2006 Richardson et al.  
 D516,554 S 3/2006 Richardson et al.  
 D516,807 S 3/2006 Richardson et al.  
 D526,780 S 8/2006 Richardson et al.  
 D530,079 S 10/2006 Richardson et al.  
 7,158,376 B2 1/2007 Richardson et al.  
 7,180,735 B2 2/2007 Richardson et al.  
 D539,031 S 3/2007 Balchunas  
 D542,524 S 5/2007 Richardson et al.  
 7,230,823 B2 6/2007 Richardson et al.  
 7,255,228 B2 \* 8/2007 Kim ..... 206/320  
 D557,264 S 12/2007 Richardson et al.  
 D557,897 S 12/2007 Richardson et al.  
 7,312,984 B2 12/2007 Richardson et al.  
 D563,093 S \* 3/2008 Nussberger ..... D3/201  
 D565,291 S \* 4/2008 Brandenburg et al. .... D3/218

D574,819 S \* 8/2008 Andre et al. .... D14/250  
 D575,056 S \* 8/2008 Tan ..... D3/218  
 D576,403 S 9/2008 Leslie et al.  
 D577,904 S 10/2008 Sasaki  
 D581,421 S 11/2008 Richardson et al.  
 7,449,650 B2 11/2008 Richardson et al.  
 D582,149 S \* 12/2008 Tan ..... D3/218  
 D593,746 S \* 6/2009 Richardson et al. .... D3/201  
 D593,750 S \* 6/2009 Song ..... D3/269  
 D597,089 S \* 7/2009 Khan et al. .... D14/250  
 D597,301 S \* 8/2009 Richardson et al. .... D3/218  
 D600,908 S \* 9/2009 Richardson et al. .... D3/218  
 D603,389 S \* 11/2009 Khan et al. .... D14/250  
 D603,602 S \* 11/2009 Richardson et al. .... D3/218  
 D603,603 S \* 11/2009 Laine et al. .... D3/218  
 D605,850 S \* 12/2009 Richardson et al. .... D3/218  
 2002/0101707 A1 8/2002 Canova et al.

OTHER PUBLICATIONS

Samsung Omnia Defender Case, <URL:Samsung Omnia Defender Case>, retrieved from internet Dec. 21, 2009.\*  
 U.S. Appl. No. 29/284,532, filed Sep. 10, 2007.  
 U.S. Appl. No. 11/466,342, filed Aug. 22, 2006.  
 U.S. Appl. No. 11/456,157, filed Jul. 7, 2006.  
 U.S. Appl. No. 11/768,761, filed Jun. 26, 2007.  
 U.S. Appl. No. 12/205,522, filed Sep. 5, 2008.  
 U.S. Appl. No. 29/246,914, filed May 19, 2006.  
 U.S. Appl. No. 12/251,161, filed Oct. 14, 2008.  
 U.S. Appl. No. 12/134,120, filed Jun. 5, 2008.  
 U.S. Appl. No. 29/284,641, filed Sep. 12, 2007.  
 U.S. Appl. No. 29/298,580, filed Dec. 7, 2007.  
 U.S. Appl. No. 29/326,210, filed Oct. 14, 2008.  
 U.S. Appl. No. 29/298,581, filed Dec. 7, 2007.  
 U.S. Appl. No. 29/298,588, filed Dec. 7, 2007.  
 U.S. Appl. No. 29/321,167, filed Jul. 11, 2008.  
 U.S. Appl. No. 29/324,499, filed Sep. 12, 2008.  
 U.S. Appl. No. 29/326,563, filed Oct. 20, 2008.  
 U.S. Appl. No. 29/327,554, filed Nov. 7, 2008.  
 U.S. Appl. No. 29/328,643, filed Nov. 26, 2008.  
 U.S. Appl. No. 29/328,645, filed Nov. 26, 2008.  
 U.S. Appl. No. 29/328,647, filed Nov. 26, 2008.  
 U.S. Appl. No. 12/251,904, filed Oct. 15, 2008.  
 U.S. Appl. No. 29/330,337, filed Jan. 5, 2009.  
 U.S. Appl. No. 29/328,650, filed Nov. 26, 2008.  
 U.S. Appl. No. 29/328,959, filed Dec. 4, 2008.  
 U.S. Appl. No. 61/141,097, filed Dec. 29, 2008.  
 U.S. Appl. No. 29/338,837, filed Jun. 19, 2009.  
 U.S. Appl. No. 29/338,840, filed Jun. 19, 2009.  
 U.S. Appl. No. 19/338,842, filed Jun. 19, 2009.  
 U.S. Appl. No. 29/338,835, filed Jun. 19, 2009.  
 U.S. Appl. No. 29/338,910, filed Jun. 19, 2009.

\* cited by examiner

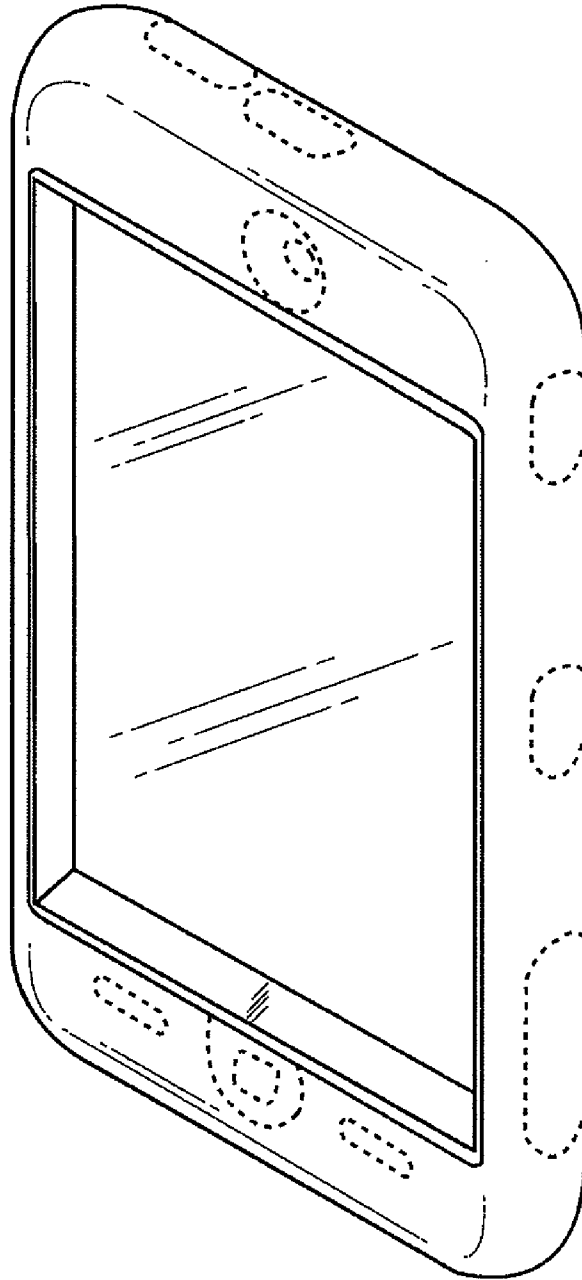


FIG. 1

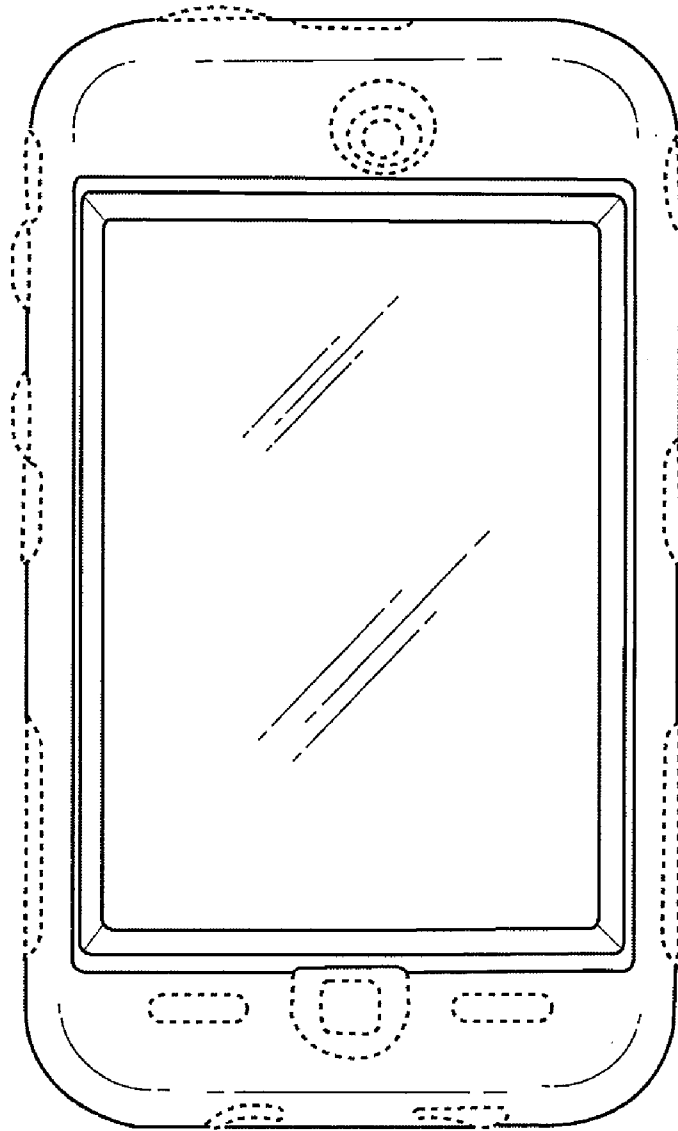


FIG. 2

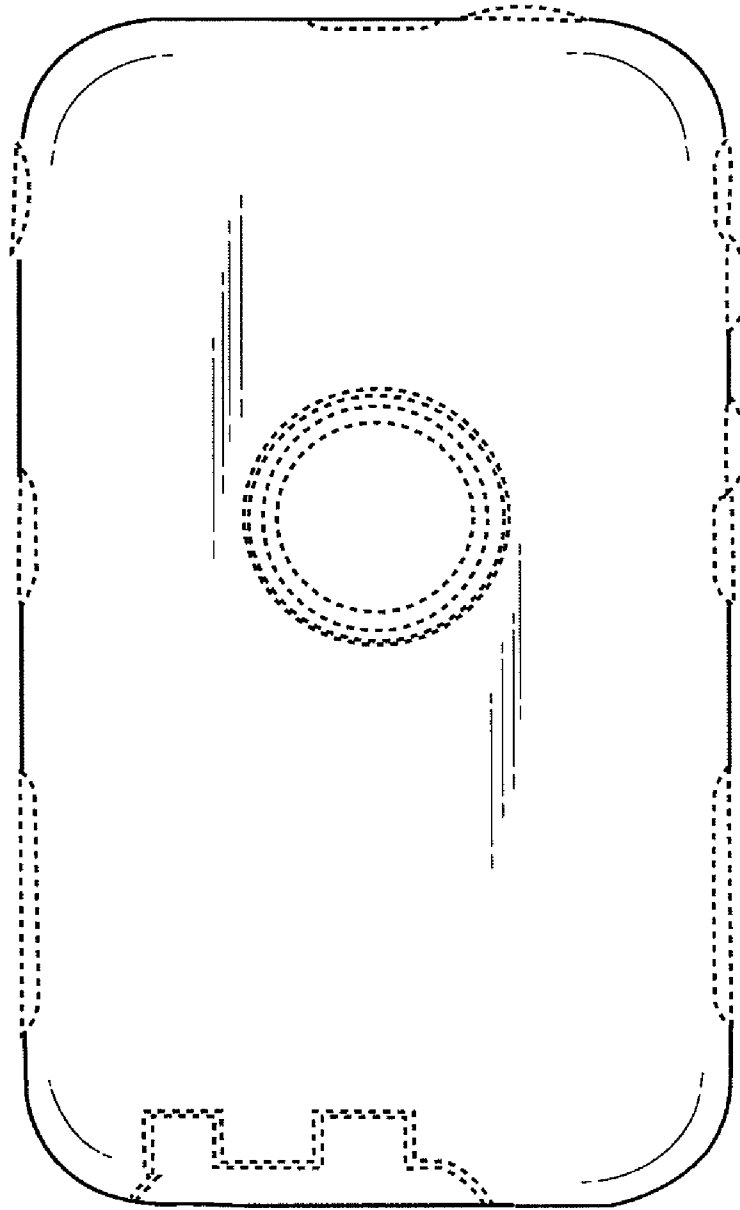


FIG. 3

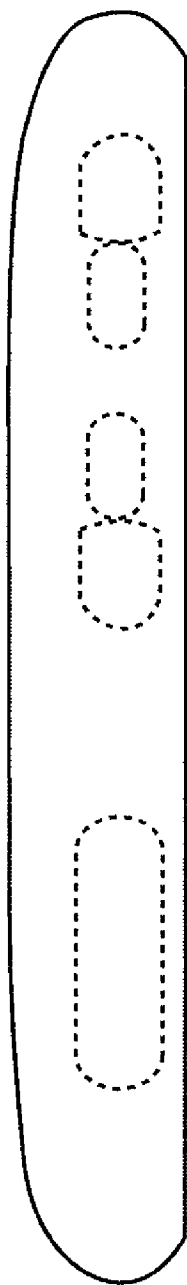


FIG. 4

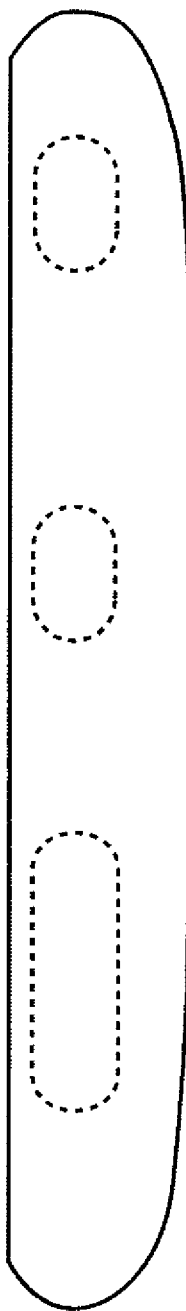


FIG. 5

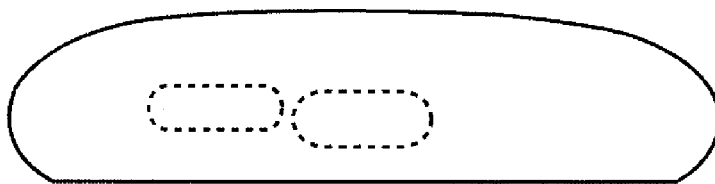


FIG. 6

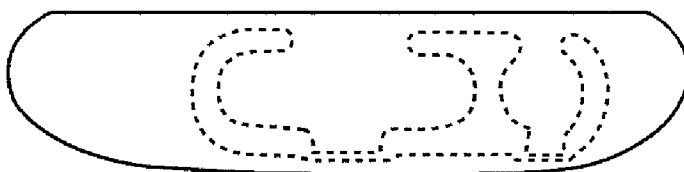


FIG. 7