



US00D613282S

(12) **United States Design Patent**  
**Richardson et al.**

(10) **Patent No.:** **US D613,282 S**

(45) **Date of Patent:** **\*\* Apr. 6, 2010**

(54) **PHONE CASE**

(75) Inventors: **Curtis R. Richardson**, Fort Collins, CO (US); **Alan V. Morine**, Fort Collins, CO (US)

(73) Assignee: **Otter Products, LLC**, Fort Collins, CO (US)

(\*\*) Term: **14 Years**

(21) Appl. No.: **29/284,532**

(22) Filed: **Sep. 10, 2007**

(51) **LOC (9) Cl.** ..... **14-03**

(52) **U.S. Cl.** ..... **D14/250**

(58) **Field of Classification Search** ..... D14/140, D14/142, 167, 217, 218, 240, 242, 248, 250-253, D14/299, 138 AA, 345, 341, 440; D3/200-201, D3/218-219, 228, 269, 301, 273; D13/103, D13/107-108, 119; 220/4.02; 224/191, 224/240, 241, 245, 682-683; 248/206.2-206.4, 248/220.21, 279.1, 309.1; 361/679.3, 679.56; 379/420.04, 426, 433.11, 446-447, 454, 379/455; 455/575.1, 575.6, 575.7, 575.8, 455/575.9; 190/100; 206/305, 320

See application file for complete search history.

(56) **References Cited**

**U.S. PATENT DOCUMENTS**

2,392,787 A	1/1946	Vermot	
D216,853 S	3/1970	Schurman	
D220,233 S	3/1971	Schurman	
D275,822 S	10/1984	Gatland et al.	
4,703,161 A	10/1987	McLean	
4,762,227 A	8/1988	Patterson	
D312,534 S *	12/1990	Nelson et al.	..... D3/228
5,092,459 A	3/1992	Uijanic et al.	
D327,646 S	7/1992	Hardigg et al.	
D329,747 S	9/1992	Embree	
D330,329 S	10/1992	Brightbill	
5,175,873 A	12/1992	Goldenburg et al.	
6,388,877 B1	12/1992	Goldenburg et al.	
D335,220 S	5/1993	Ward	

D342,609 S	12/1993	Brightbill	
D347,324 S	5/1994	Dickenson	
D347,732 S	6/1994	Wentz	
D353,048 S	12/1994	VanSkiver et al.	
D378,020 S *	2/1997	Hatt	..... D3/218
D381,512 S	7/1997	Green	
D386,611 S	11/1997	Sheu	
D402,105 S	12/1998	Erickson	
D409,374 S	5/1999	Laba et al.	
D412,062 S	7/1999	Potter et al.	
D413,202 S	8/1999	Schmitt et al.	

(Continued)

**OTHER PUBLICATIONS**

iPhone Defender Case, <URL:http://www.otterbox.com/iphone-defender-case/>, retrieved from internet Dec. 21, 2009.\*

(Continued)

*Primary Examiner*—Robert M Spear  
*Assistant Examiner*—Carla Jobe Wright  
(74) *Attorney, Agent, or Firm*—William W. Cochran; Cochran Freund & Young LLC

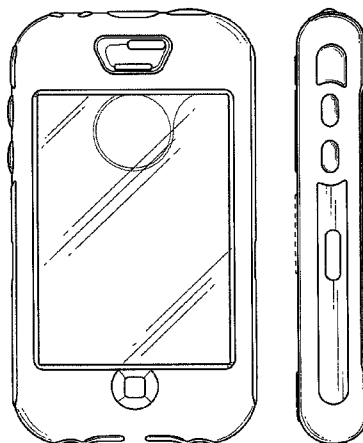
(57) **CLAIM**

The ornamental design for a phone case, as shown and described.

**DESCRIPTION**

FIG. 1 is an isometric view of a phone case showing my new design.  
FIG. 2 is a front view thereof.  
FIG. 3 is a top view thereof.  
FIG. 4 is a left side view thereof.  
FIG. 5 is a right side view thereof.  
FIG. 6 is a bottom view thereof; and,  
FIG. 7 is a back view thereof.  
The broken line showing of the rectangular-shaped feature on the rear of the phone case depicts environment and forms no part of the claimed design.

**1 Claim, 5 Drawing Sheets**



# US D613,282 S

Page 2

## U.S. PATENT DOCUMENTS

D413,203	S	8/1999	Zurwelle et al.	
D419,297	S	1/2000	Richardson et al.	
D419,767	S	2/2000	Richardson et al.	
D419,768	S	2/2000	Richardson et al.	
6,031,524	A	2/2000	Kunert	
6,041,924	A	3/2000	Tajima	
6,049,813	A	4/2000	Danielson et al.	
D423,772	S	5/2000	Cooper et al.	
6,068,119	A	5/2000	Derr et al.	
D429,884	S	8/2000	Zurwelle et al.	
6,094,785	A	8/2000	Canova et al.	
D433,798	S	11/2000	Weinstock	
D439,407	S	3/2001	Parker	
6,215,474	B1	4/2001	Shah	
D441,954	S	5/2001	Parker	
6,239,968	B1	5/2001	Kim et al.	
D443,133	S	6/2001	Richardson et al.	
6,273,252	B1	8/2001	Mitchell	
6,301,100	B1	10/2001	Iwata	
6,313,892	B2	11/2001	Gleckman	
D459,346	S *	6/2002	Powell	D14/250
6,415,138	B2	7/2002	Sirola et al.	
6,445,577	B1	9/2002	Madsen et al.	
6,456,487	B1	9/2002	Hetterick et al.	
D464,196	S	10/2002	Parker	
6,471,056	B1	10/2002	Tzeng	
D465,330	S	11/2002	Parker	
D470,659	S	2/2003	Story et al.	
6,519,141	B2	2/2003	Tseng et al.	
6,536,589	B2	3/2003	Chang	
D472,384	S	4/2003	Richardson	
6,646,864	B2	11/2003	Richardson et al.	
6,665,174	B1	12/2003	Derr et al.	
D485,834	S *	1/2004	Davetas	D14/250
D499,091	S *	11/2004	Taylor et al.	D14/252

D513,123	S	12/2005	Richardson et al.	
D513,451	S	1/2006	Richardson et al.	
D514,808	S	2/2006	Morine et al.	
6,995,976	B2	2/2006	Richardson et al.	
D516,309	S	3/2006	Richardson et al.	
D516,553	S	3/2006	Richardson et al.	
D516,554	S	3/2006	Richardson et al.	
D516,807	S	3/2006	Richardson et al.	
D526,780	S	8/2006	Richardson et al.	
D530,079	S	10/2006	Richardson et al.	
7,158,376	B2	1/2007	Richardson et al.	
7,180,735	B2	2/2007	Richardson et al.	
D542,524	S	5/2007	Richardson et al.	
7,255,228	B2 *	8/2007	Kim	206/320
D563,093	S *	3/2008	Nussberger	D3/201
D565,291	S *	4/2008	Brandenburg et al.	D3/218
D574,819	S *	8/2008	Andre et al.	D14/250
D575,056	S *	8/2008	Tan	D3/218
D582,149	S *	12/2008	Tan	D3/218
D593,746	S *	6/2009	Richardson et al.	D3/201
D593,750	S *	6/2009	Song	D3/269
D597,089	S *	7/2009	Khan et al.	D14/250
D597,301	S *	8/2009	Richardson et al.	D3/218
D600,908	S *	9/2009	Richardson et al.	D3/218
D603,389	S *	11/2009	Khan et al.	D14/250
D603,602	S *	11/2009	Richardson et al.	D3/218
D603,603	S *	11/2009	Laine et al.	D3/218
D605,850	S *	12/2009	Richardson et al.	D3/218
2002/0101707	A1	8/2002	Canova et al.	

## OTHER PUBLICATIONS

Samsung Omnia Defender Case, <URL:Samsung Omnia Defender Case>, retrieved from internet Dec. 21, 2009.\*  
 U.S. Appl. No. 29/184,641, filed Sep. 12, 2007.

\* cited by examiner

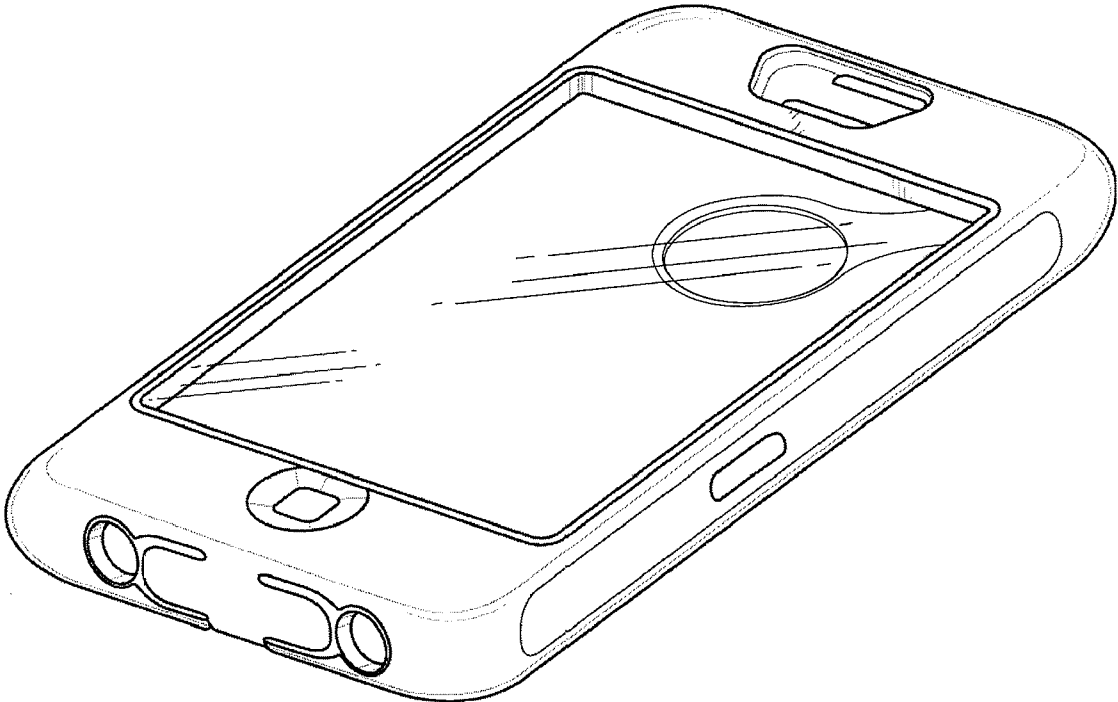


FIG. 1

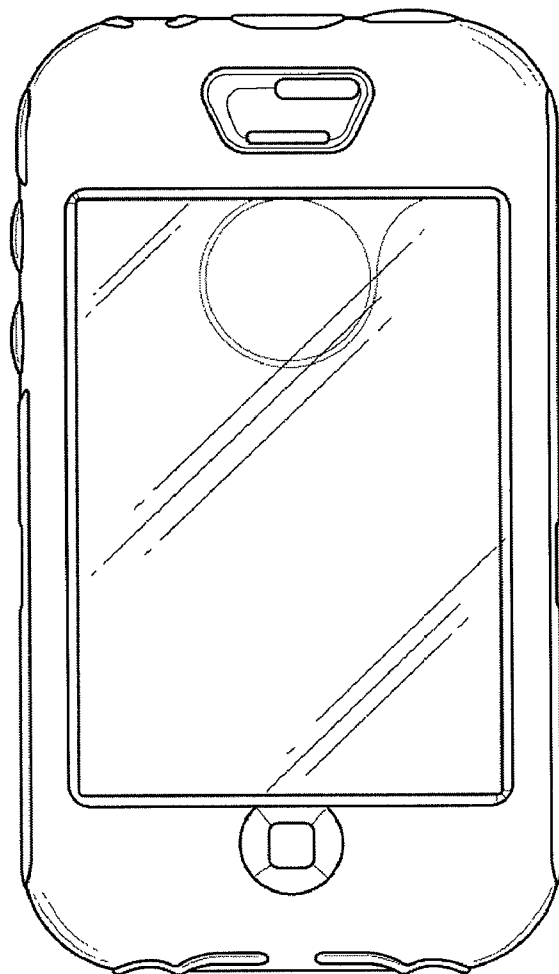


FIG. 2

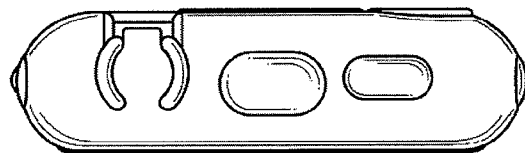


FIG. 3

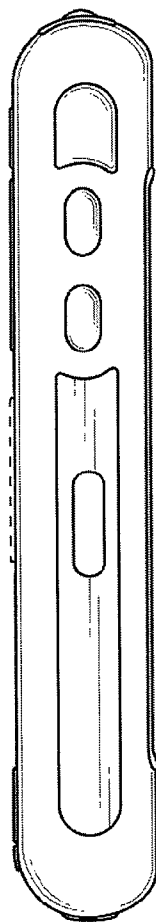


FIG. 4

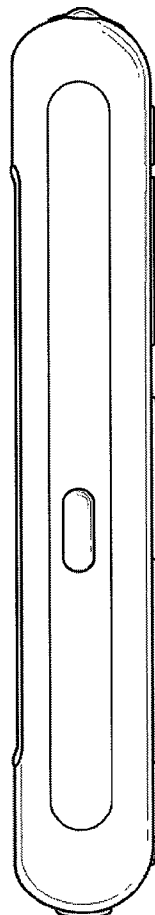


FIG. 5

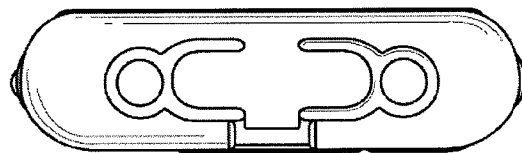


FIG. 6

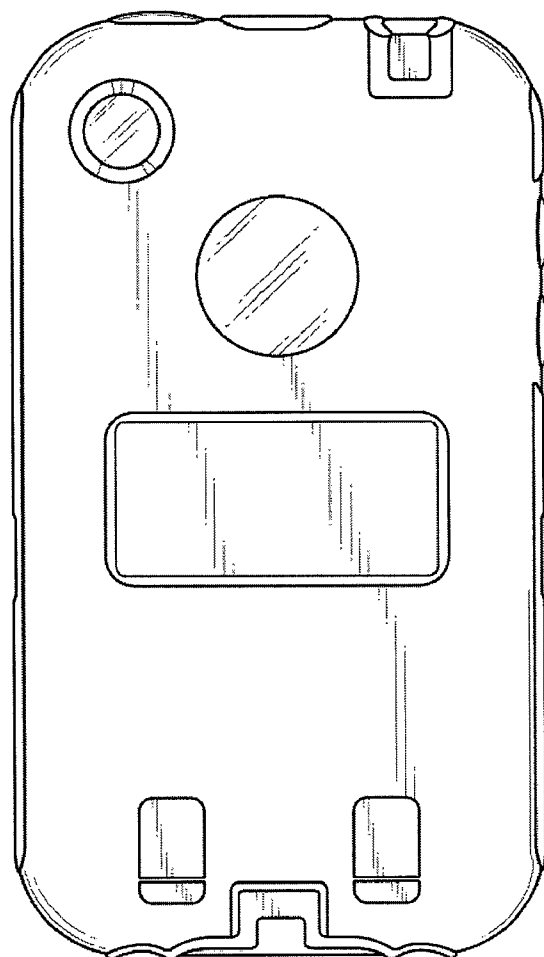


FIG. 7