



US00D605850S

(12) **United States Design Patent**  
**Richardson et al.**

(10) **Patent No.:** **US D605,850 S**

(45) **Date of Patent:** **\*\* Dec. 15, 2009**

(54) **ELECTRONICS DEVICE CASE**

(75) Inventors: **Curtis R. Richardson**, Fort Collins, CO (US); **Jason M. Thompson**, Fort Collins, CO (US); **Matthew M. Glanzer**, Loveland, CO (US); **Jamie Lee Johnson**, Fort Collins, CO (US); **Alan V. Morine**, Fort Collins, CO (US)

(73) Assignee: **Otter Products, LLC**, Fort Collins, CO (US)

(\*\*) Term: **14 Years**

(21) Appl. No.: **29/321,167**

(22) Filed: **Jul. 11, 2008**

(51) **LOC (9) Cl.** ..... **03-01**

(52) **U.S. Cl.** ..... **D3/218**

(58) **Field of Classification Search** ..... D3/218,  
D3/201, 215, 219, 226, 269, 272-273; 206/305,  
206/320; 455/90, 92, 42; 379/455; 224/666,  
224/674-677, 680-683, 240, 901; D14/496,  
D14/156, 138

See application file for complete search history.

(56) **References Cited**

**U.S. PATENT DOCUMENTS**

2,392,787 A	1/1946	Vermot
D216,853 S	3/1970	Schurman
D220,233 S	3/1971	Schuman
D275,822 S	10/1984	Gatland et al.
4,703,161 A	10/1987	McLean
4,762,227 A	8/1988	Patterson
5,092,459 A	3/1992	Uljanic et al.
D327,646 S	7/1992	Hardigg et al.
D329,747 S	9/1992	Embree
D330,329 S	10/1992	Brightbill
5,175,873 A	12/1992	Goldenberg et al.
D335,220 S	5/1993	Ward
D342,609 S	12/1993	Brightbill
D347,324 S	5/1994	Dickinson
D347,732 S	6/1994	Wentz
D353,048 S	12/1994	VanSkiver et al.

D381,512 S	7/1997	Green
D386,611 S	11/1997	Sheu
D402,105 S	12/1998	Erickson
D409,374 S	5/1999	Laba et al.
D412,062 S	7/1999	Potter et al.
D413,202 S	8/1999	Schmitt et al.
D413,203 S	8/1999	Zurwelle et al.
D419,297 S	1/2000	Richardson et al.
D419,767 S	2/2000	Richardson et al.
D419,768 S	2/2000	Richardson et al.
6,031,524 A	2/2000	Kunert
6,041,924 A	3/2000	Tajima
6,049,813 A	4/2000	Danielson et al.
D423,772 S	5/2000	Cooper et al.
6,068,119 A	5/2000	Derr et al.
6,094,785 A	8/2000	Montgomery et al.

(Continued)

**OTHER PUBLICATIONS**

U.S. Appl. No. 29/284,532, filed Sep. 10, 2007.

(Continued)

*Primary Examiner*—Catherine R Oliver  
(74) *Attorney, Agent, or Firm*—William W. Cochran;  
Cochran Freund & Young LLC

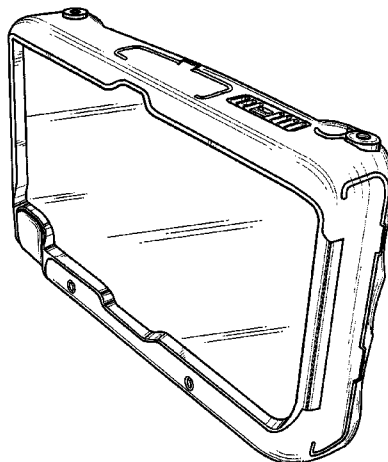
(57) **CLAIM**

The ornamental design for an electronics device case, as shown and described.

**DESCRIPTION**

FIG. 1 is an isometric view of an electronics device case showing our new design.  
FIG. 2 is a top view thereof.  
FIG. 3 is a front view thereof.  
FIG. 4 is a left side view thereof.  
FIG. 5 is a right side view thereof.  
FIG. 6 is a bottom view thereof; and,  
FIG. 7 is a rear view thereof.

**1 Claim, 6 Drawing Sheets**



# US D605,850 S

Page 2

## U.S. PATENT DOCUMENTS

D433,798	S	11/2000	Weinstock	D514,808	S	2/2006	Morine et al.
D439,407	S	3/2001	Parker	6,995,976	B2	2/2006	Richardson et al.
6,215,474	B1	4/2001	Shah	D516,309	S	3/2006	Richardson et al.
6,239,968	B1	5/2001	Kim et al.	D516,553	S	3/2006	Richardson et al.
D443,133	S	6/2001	Richardson et al.	D516,807	S	3/2006	Richardson et al.
6,273,252	B1	8/2001	Mitchell	D526,780	S	8/2006	Richardson et al.
6,301,100	B1	10/2001	Iwata	D530,079	S	10/2006	Thomas et al.
6,313,892	B2	11/2001	Gleckman	7,158,376	B2	1/2007	Richardson et al.
6,317,313	B1	11/2001	Mosgrove et al.	7,180,735	B2	2/2007	Richardson et al.
6,388,877	B1	5/2002	Canova, Jr. et al.	D542,524	S	5/2007	Richardson et al.
6,415,138	B2	7/2002	Sirola et al.	7,230,823	B2	6/2007	Richardson et al.
6,445,577	B1	9/2002	Madsen et al.	D557,897	S	12/2007	Richardson et al.
6,456,487	B1	9/2002	Hetterick	7,312,984	B2	12/2007	Richardson et al.
6,471,056	B1	10/2002	Tzeng et al.	2002/0101707	A1	8/2002	Canova et al.
D465,330	S	11/2002	Parker				
D470,659	S	2/2003	Story et al.				
6,519,141	B2	2/2003	Tseng et al.				
6,536,589	B2	3/2003	Chang				
D472,384	S	4/2003	Richardson				
6,646,864	B2	11/2003	Richardson et al.				
6,665,174	B1	12/2003	Derr et al.				
D513,123	S	12/2005	Richardson et al.				
D513,451	S	1/2006	Richardson et al.				

## OTHER PUBLICATIONS

U.S. Appl. No. 11/466,342, filed Aug. 22, 2006.  
U.S. Appl. No. 11/456,157, filed Jul. 7, 2006.  
U.S. Appl. No. 11/768,761, filed Jun. 26, 2007.  
U.S. Appl. No. 29/298,581, filed Dec. 7, 2007.  
U.S. Appl. No. 29/298,580, filed Dec. 7, 2007.  
U.S. Appl. No. 29/246,914, filed May 19, 2006.  
U.S. Appl. No. 29/298,588, filed Dec. 7, 2007.  
U.S. Appl. No. 12/134,120, filed Jun. 5, 2008.  
U.S. Appl. No. 29/284,641, filed Sep. 12, 2007.

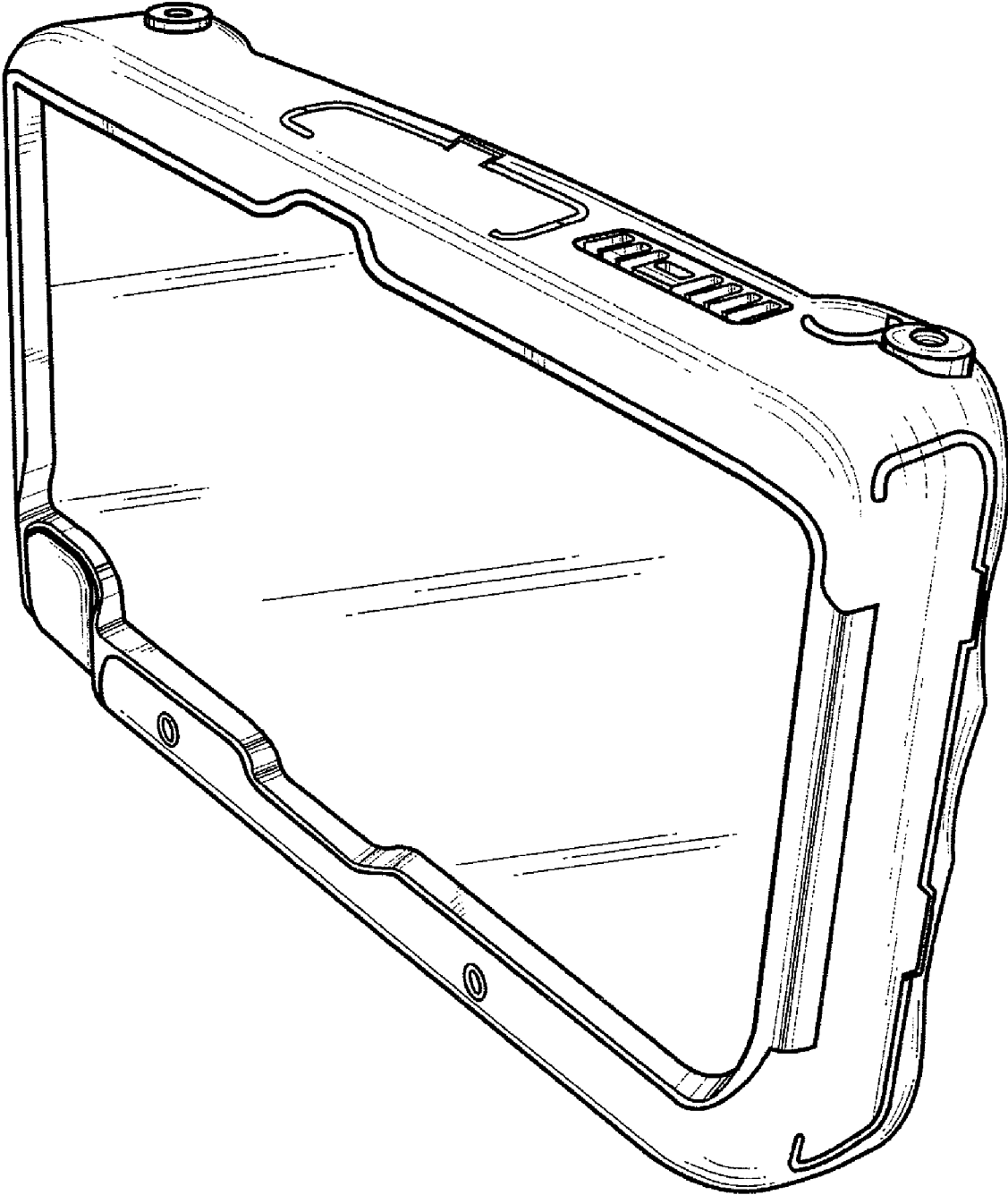


FIG. 1

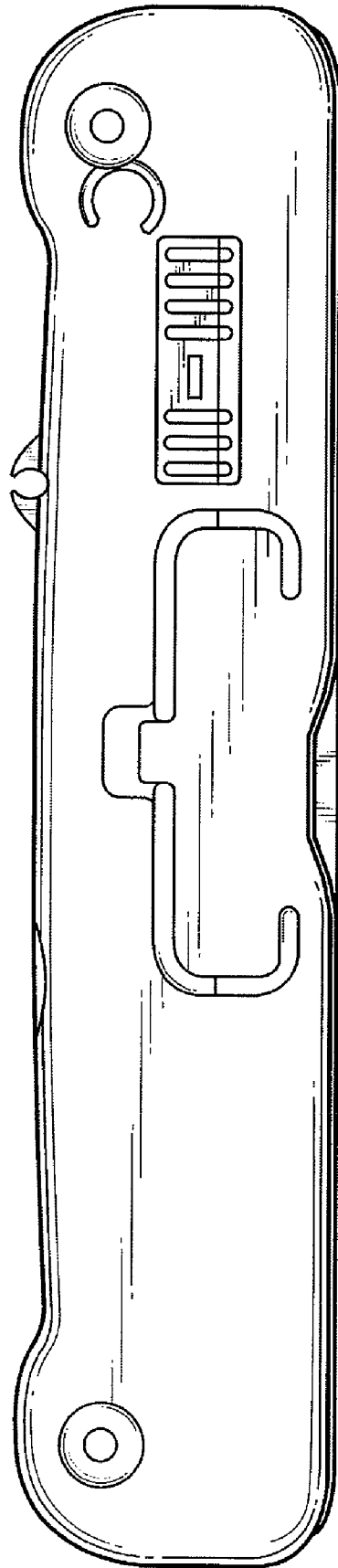


FIG. 2

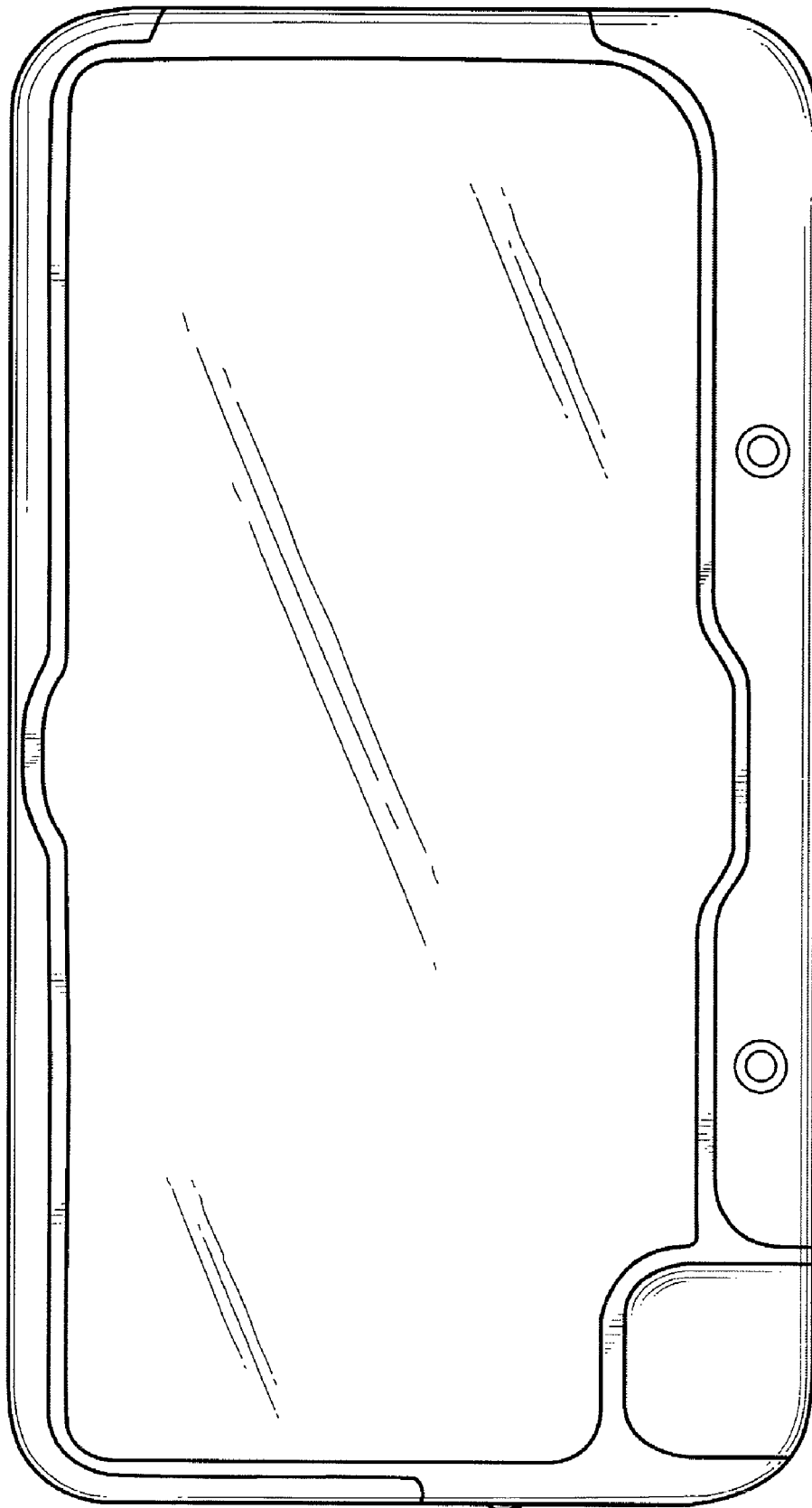


FIG. 3

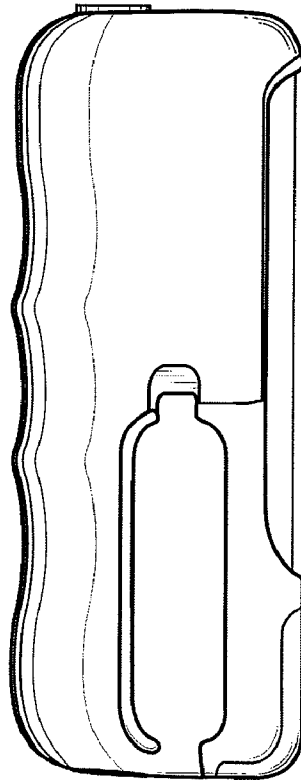


FIG. 4

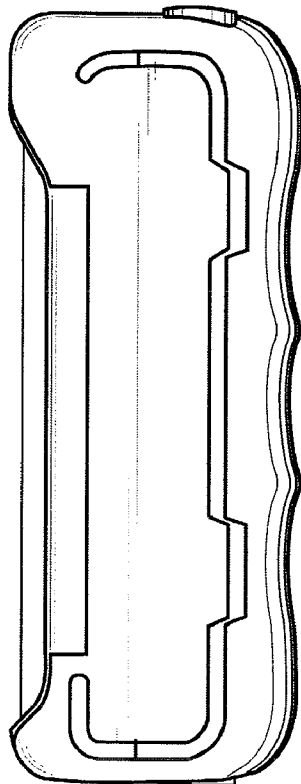


FIG. 5

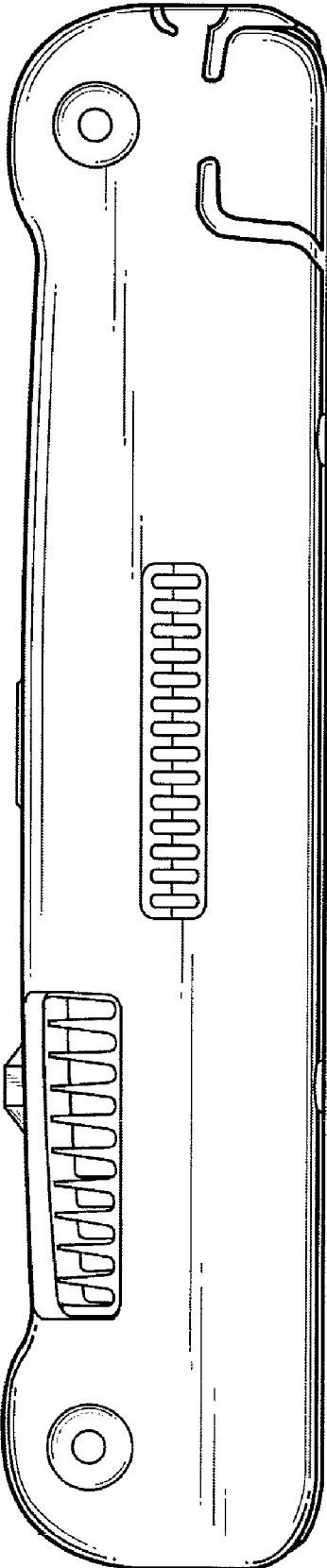


FIG. 6

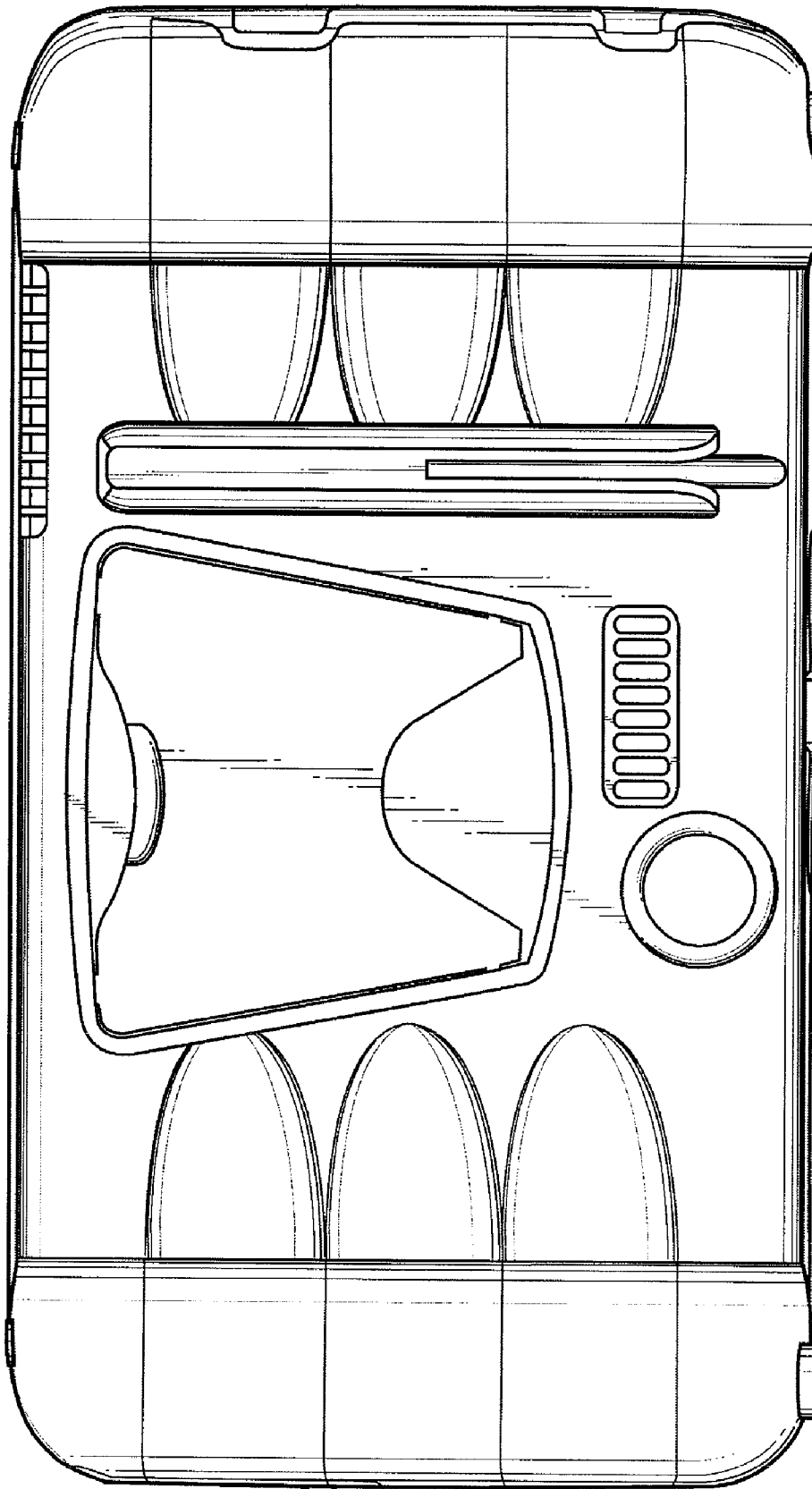


FIG. 7