



US00D557897S

(12) **United States Design Patent**  
**Richardson et al.**

(10) **Patent No.:** **US D557,897 S**

(45) **Date of Patent:** **\*\* Dec. 25, 2007**

(54) **LAPTOP CASE**

(75) Inventors: **Curtis R. Richardson**, Fort Collins,  
CO (US); **Alan Morine**, Fort Collins,  
CO (US)

(73) Assignee: **Otter Products, LLC**, Fort Collins, CO  
(US)

(\*\*) Term: **14 Years**

(21) Appl. No.: **29/246,913**

(22) Filed: **May 19, 2006**

**Related U.S. Application Data**

(63) Continuation-in-part of application No. 10/937,048,  
filed on Sep. 8, 2004, now Pat. No. 7,158,376, which  
is a continuation-in-part of application No. 10/645,  
439, filed on Aug. 20, 2003, now Pat. No. 6,995,976,  
which is a continuation of application No. 10/300,  
200, filed on Nov. 19, 2002, now Pat. No. 6,646,864.

(60) Provisional application No. 60/335,865, filed on Nov.  
19, 2001.

(51) **LOC (8) Cl.** ..... **03-01**

(52) **U.S. Cl.** ..... **D3/294; D3/900**

(58) **Field of Classification Search** ..... D3/273,  
D3/276, 287, 292, 294, 321, 900; D14/315,  
D14/328, 341, 345, 440; 190/100, 109-110,  
190/114-115, 119, 120-122, 127, 900-901;  
206/305, 320

See application file for complete search history.

(56) **References Cited**

**U.S. PATENT DOCUMENTS**

2,392,787 A 1/1946 Vermont  
D216,853 S 3/1970 Schurman  
D220,233 S 3/1971 Schurman  
3,590,988 A 7/1971 Hollar  
D275,822 S 10/1984 Gatland et al.  
4,703,161 A 10/1987 McLean  
4,762,227 A 8/1988 Patterson

D318,373 S \* 7/1991 Uke et al. .... D3/292  
5,092,459 A 3/1992 Uljanic et al.  
D327,646 S 7/1992 Hardigg et al.  
D329,747 S 9/1992 Embree  
D330,329 S 10/1992 Brightbill  
5,175,873 A 12/1992 Goldenberg et al.  
D335,220 S 5/1993 Ward et al.  
D342,609 S 12/1993 Brightbill  
D347,324 S 5/1994 Dickinson  
D347,732 S 6/1994 Wentz  
D351,727 S \* 10/1994 Tarozzi ..... D3/276  
D353,048 S 12/1994 VanSkiver et al.

(Continued)

**OTHER PUBLICATIONS**

OtterBox Medium Laptop Case. Downloaded Jul. 13, 2007 at  
[http://www.otterbox.com/products/pd\\_cases/laptop\\_case/](http://www.otterbox.com/products/pd_cases/laptop_case/).\*

(Continued)

*Primary Examiner*—Philip S. Hyder  
*Assistant Examiner*—RoseLynne (Ulm) Cody  
(74) *Attorney, Agent, or Firm*—William W. Cochran;  
Cochran Freund & Young LLC

(57) **CLAIM**

The ornamental design for a laptop case, as shown and  
described.

**DESCRIPTION**

FIG. 1 is an isometric view of a laptop case showing my new  
design.

FIG. 2 is a front view thereof.

FIG. 3 is a top view thereof.

FIG. 4 is a left side view thereof.

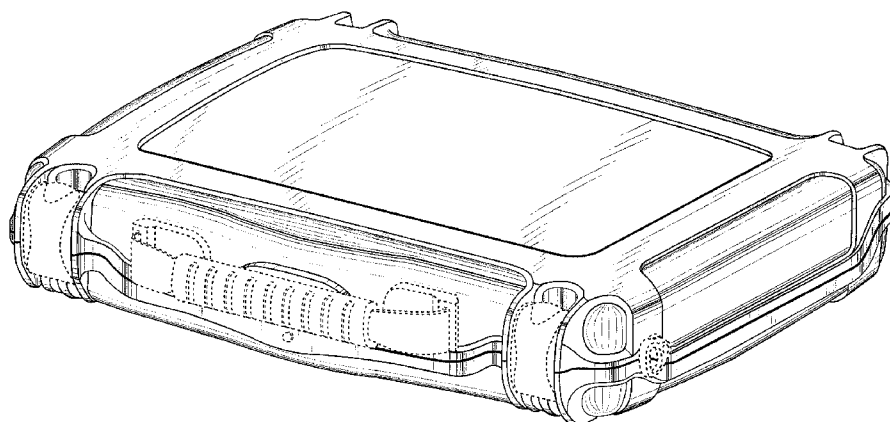
FIG. 5 is a right side view thereof.

FIG. 6 is a rear side view thereof; and,

FIG. 7 is a bottom view thereof.

The broken line portions of the disclosure are for illustrative  
purposes only and form no part of the claimed design.

**1 Claim, 7 Drawing Sheets**



U.S. PATENT DOCUMENTS

D381,512 S 7/1997 Green  
 D386,611 S 11/1997 Sheu  
 D402,105 S 12/1998 Erickson  
 D409,374 S 5/1999 Laba et al.  
 D412,062 S 7/1999 Potter et al.  
 D413,202 S 8/1999 Schmitt et al.  
 D413,203 S 8/1999 Zurwelle et al.  
 D419,297 S 1/2000 Richardson et al.  
 D419,767 S 2/2000 Richardson et al.  
 D419,768 S 2/2000 Richardson et al.  
 6,031,524 A 2/2000 Kunert  
 6,041,924 A 3/2000 Tajima  
 6,049,813 A 4/2000 Danielson et al.  
 D423,772 S 5/2000 Cooper et al.  
 6,068,119 A 5/2000 Derr et al.  
 D429,884 S 8/2000 Zurwelle et al.  
 6,094,785 A 8/2000 Montgomery et al.  
 D433,798 S 11/2000 Weinstock  
 D439,407 S 3/2001 Parker  
 6,215,474 B1 4/2001 Shah  
 D441,954 S 5/2001 Parker  
 6,239,968 B1 5/2001 Kim et al.  
 D443,133 S 6/2001 Richardson et al.  
 6,273,252 B1 8/2001 Mitchell  
 6,301,100 B1 10/2001 Iwata  
 6,313,892 B2 11/2001 Gleckman  
 6,317,313 B1 11/2001 Mosgrove et al.  
 6,388,877 B1 5/2002 Canova, Jr. et al.  
 6,396,769 B1 5/2002 Polany  
 D459,885 S \* 7/2002 Hart ..... D3/282  
 6,415,138 B2 7/2002 Sirola et al.  
 D462,519 S \* 9/2002 Gaydos et al. .... D3/276  
 6,445,577 B1 9/2002 Madsen et al.  
 6,456,487 B1 9/2002 Hetterick  
 D464,196 S 10/2002 Parker  
 6,471,056 B1 10/2002 Tzeng  
 D465,330 S 11/2002 Parker  
 D467,426 S \* 12/2002 Hardigg et al. .... D3/279  
 D470,659 S 2/2003 Story et al.  
 6,519,141 B2 2/2003 Tseng et al.  
 6,525,928 B1 2/2003 Madsen et al.  
 6,536,589 B2 3/2003 Chang

D472,384 S 4/2003 Richardson  
 6,585,090 B2 \* 7/2003 Harvey ..... 190/108  
 6,614,722 B2 9/2003 Polany et al.  
 6,646,864 B2 11/2003 Richardson et al.  
 6,659,274 B2 12/2003 Enners  
 6,665,174 B1 12/2003 Derr et al.  
 6,698,608 B2 \* 3/2004 Parker et al. .... 220/4.22  
 6,953,126 B2 \* 10/2005 Parker et al. .... 220/4.22  
 D513,123 S 12/2005 Richardson et al.  
 D513,451 S 1/2006 Richardson et al.  
 D514,808 S 2/2006 Morine et al.  
 6,995,976 B2 2/2006 Richardson  
 D516,309 S 3/2006 Richardson et al.  
 D516,553 S 3/2006 Richardson et al.  
 D516,554 S 3/2006 Richardson et al.  
 D516,807 S 3/2006 Richardson et al.  
 D520,237 S \* 5/2006 Cheng ..... D3/276  
 D526,780 S 8/2006 Richardson et al.  
 D530,079 S 10/2006 Richardson et al.  
 D538,801 S \* 3/2007 Taylor ..... D14/341  
 D543,700 S \* 6/2007 Parker et al. .... D3/294  
 2002/0101707 A1 8/2002 Canova et al.  
 2003/0217940 A1 \* 11/2003 Russell et al. .... 206/320  
 2004/0112776 A1 \* 6/2004 Lord ..... 206/320  
 2004/0120219 A1 6/2004 Polany et al.  
 2005/0174727 A1 8/2005 Richardson

OTHER PUBLICATIONS

SKB Waterporrof Laptio Case at Rackmont Solutions. Downloaded Jul. 13, 2007 at [http://www.rackmountsolutions.net/SKB\\_Military\\_Standard\\_Laptop\\_cases.asp](http://www.rackmountsolutions.net/SKB_Military_Standard_Laptop_cases.asp).  
 U.S. Appl. No. 29/211,554, Richardson et al.  
 U.S. Appl. No. 11/270,732, Richardson et al.  
 U.S. Appl. No. 10/937,048, Richardson et al.  
 U.S. Appl. No. 11/077,963, Richardson et al.  
 U.S. Appl. No. 11/466,342, Richardson et al.  
 U.S. Appl. No. 60/805,833, Richardson et al.  
 U.S. Appl. No. 60/807,726, Richardson et al.  
 U.S. Appl. No. 29/246,914, Richardson et al.  
 U.S. Appl. No. 11/456,157, Richardson et al.  
 U.S. Appl. No. 29/246,912, Richardson et al.

\* cited by examiner

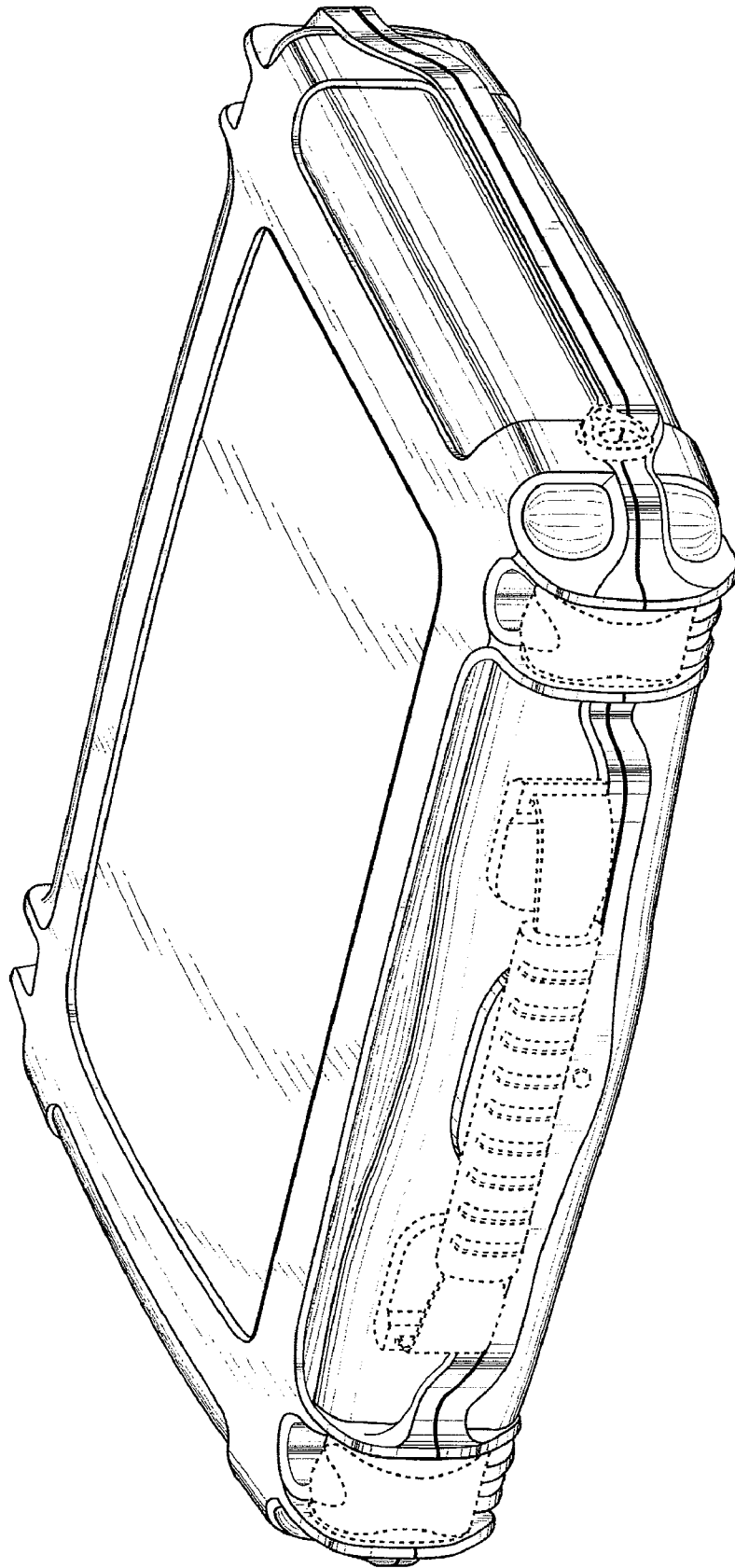


FIG. 1

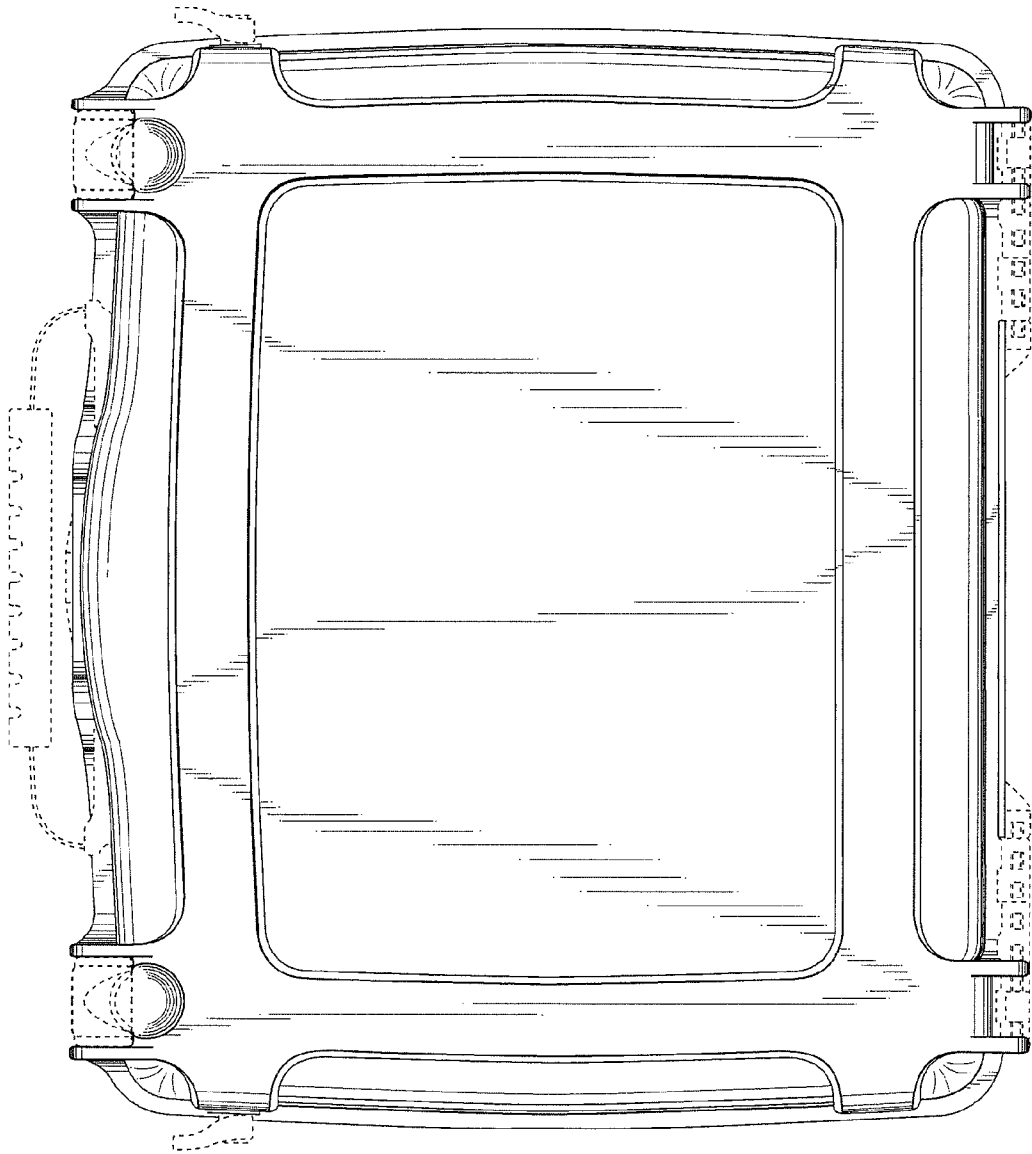


FIG. 2

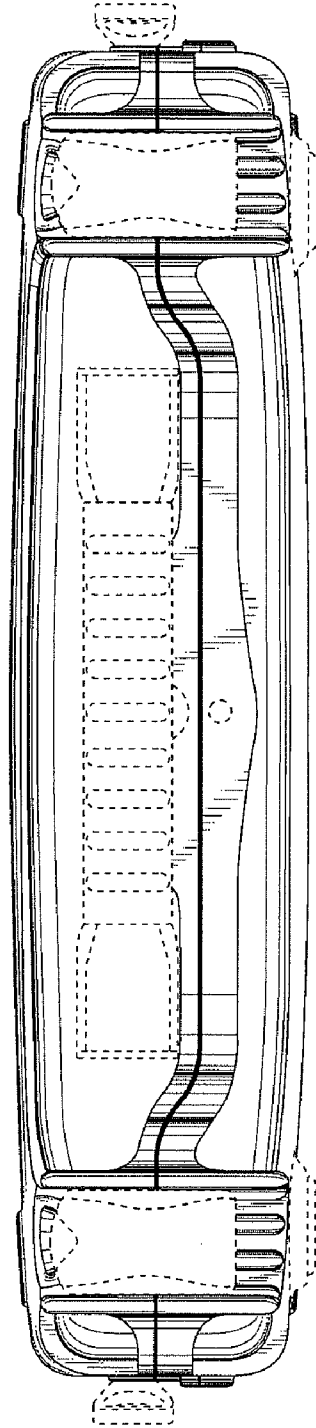
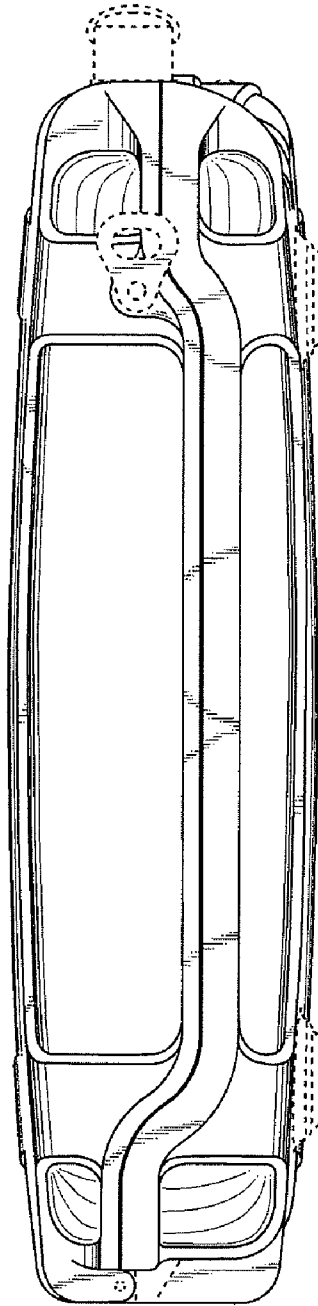
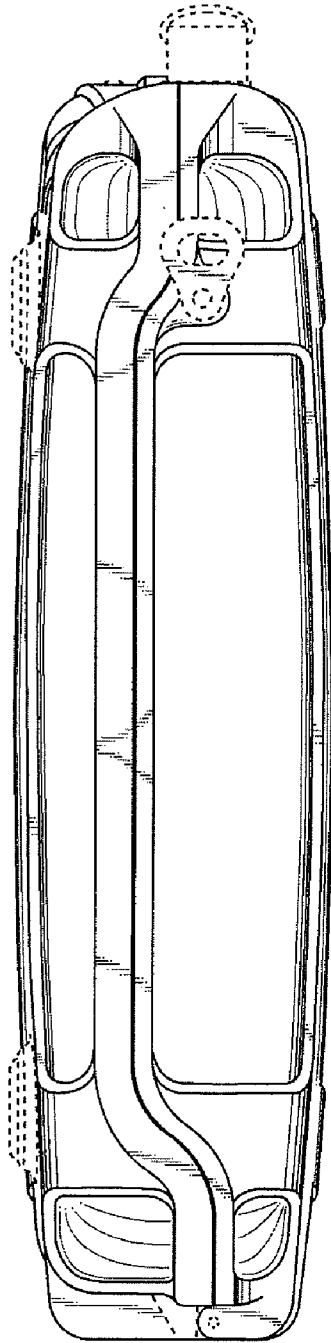


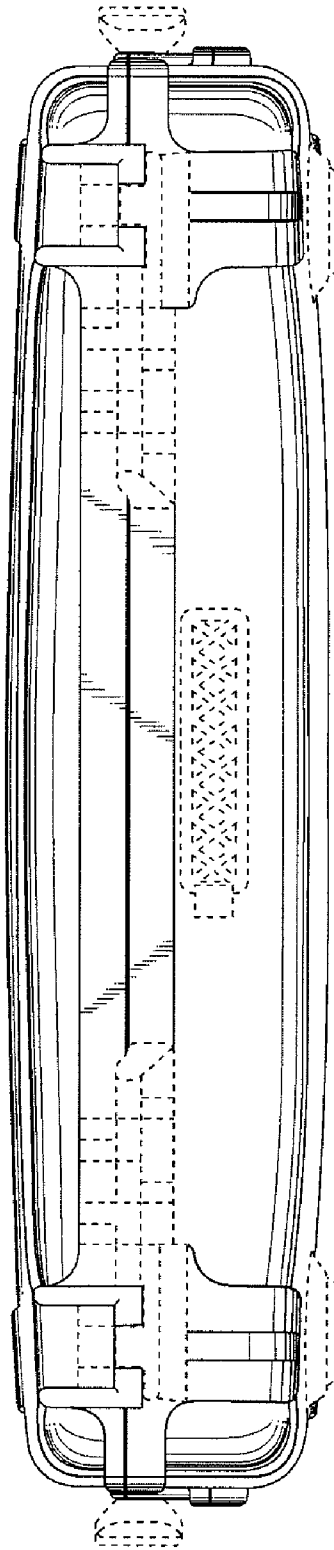
FIG. 3



**FIG. 4**



**FIG. 5**



**FIG. 6**



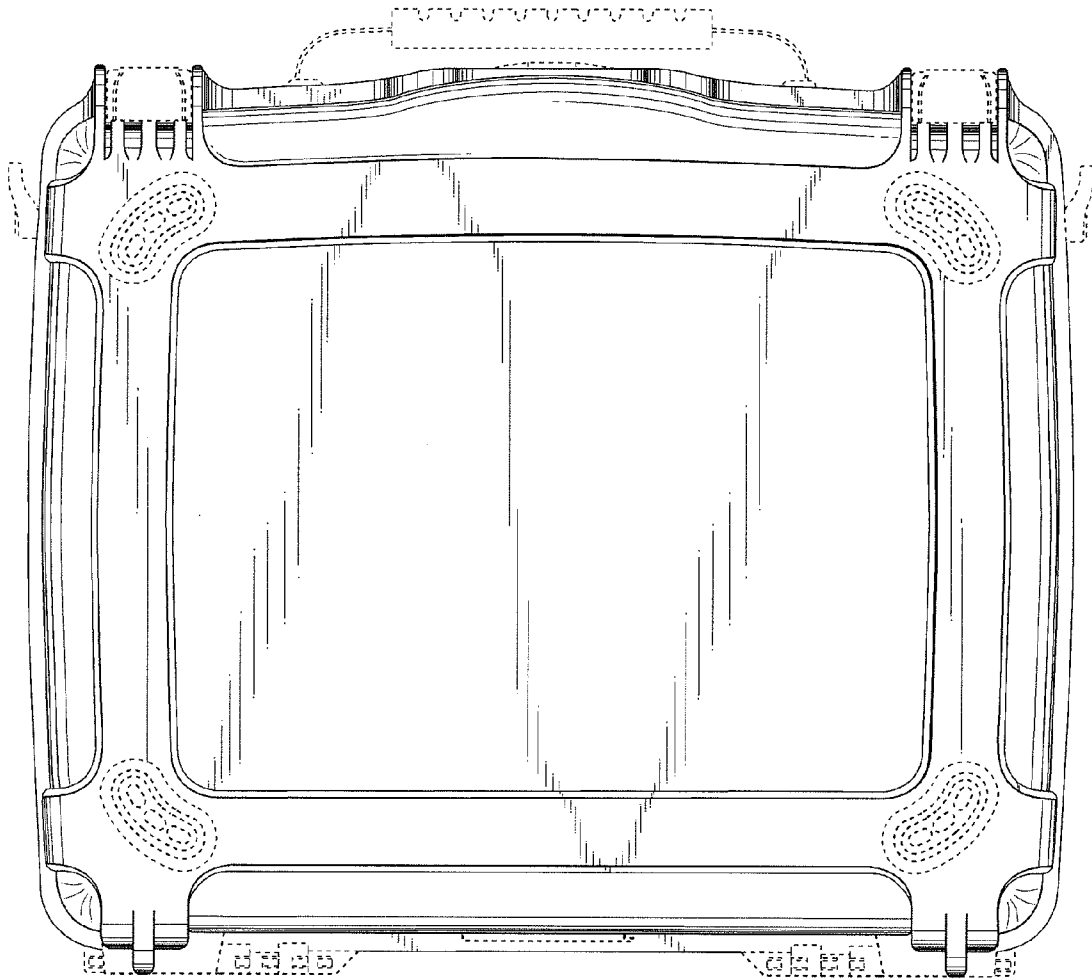


FIG. 7