



US00D542524S

(12) **United States Design Patent** (10) **Patent No.:** **US D542,524 S**
Richardson et al. (45) **Date of Patent:** **** May 15, 2007**

(54) **BOX**
(75) Inventors: **Curtis R. Richardson**, Fort Collins, CO (US); **Alan V. Morine**, Fort Collins, CO (US); **Douglas A. Kempel**, Fort Collins, CO (US)

D381,512 S 7/1997 Green
D386,611 S 11/1997 Sheu
D402,105 S 12/1998 Erickson
D409,374 S 5/1999 Laba et al.
D412,062 S 7/1999 Potter et al.
D413,202 S 8/1999 Schmitt et al.
D413,203 S 8/1999 Zurwelle et al.

(73) Assignee: **Otter Products, LLC**, Fort Collins, CO (US)

(Continued)

(**) Term: **14 Years**

OTHER PUBLICATIONS

(21) Appl. No.: **29/211,554**

U.S. Appl. No. 11/077,963, Richardson.
U.S. Appl. No. 10/645,439, Richardson.
U.S. Appl. No. 29/205,706, Richardson et al.
U.S. Appl. No. 29/205,708, Richardson et al.
U.S. Appl. No. 29/205,723, Richardson et al.
U.S. Appl. No. 29/205,722, Richardson et al.
U.S. Appl. No. 29/205,848, Morine et al.
U.S. Appl. No. 10/937,048, Richardson et al.
U.S. Appl. No. 29/209,918, Richardson et al.
U.S. Appl. No. 29/217,612, Richardson et al.
U.S. Appl. No. 29/217,613, Richardson et al.
U.S. Appl. No. 29/225,168, Richardson et al.

(22) Filed: **Aug. 17, 2004**

(51) **LOC (8) Cl.** **03-01**

(52) **U.S. Cl.** **D3/218; D3/273; D9/418**

(58) **Field of Classification Search** D3/218, D3/215, 219, 273, 300, 602; D9/414, 418, D9/424, 432; 206/312, 320, 701; 224/240, 224/241, 904; 379/455

See application file for complete search history.

(56) **References Cited**

U.S. PATENT DOCUMENTS

2,392,787 A 1/1946 Vermot
D216,853 S 3/1970 Schurman
D220,233 S 3/1971 Schurman
3,590,988 A 7/1971 Hollar
D275,822 S 10/1984 Gatland et al.
4,703,161 A 10/1987 McLean
4,762,227 A 8/1988 Patterson
D306,654 S * 3/1990 Brown D3/299
5,092,459 A 3/1992 Ujjanic et al.
D327,646 S 7/1992 Hardigg et al.
D329,747 S 9/1992 Embree
D330,329 S 10/1992 Brightbill
5,175,873 A 12/1992 Goldenberg et al.
D335,220 S 5/1993 Ward et al.
D342,609 S 12/1993 Brightbill
D347,324 S 5/1994 Dickenson
D347,732 S 6/1994 Wentz
D353,048 S 12/1994 VanSkiver et al.
D373,725 S * 9/1996 Weil D9/422
D375,197 S * 11/1996 Laherty D3/218

Primary Examiner—Stella Reid
Assistant Examiner—Derrick Holland
(74) *Attorney, Agent, or Firm*—William W. Cochran; Cochran Freund & Young, LLC

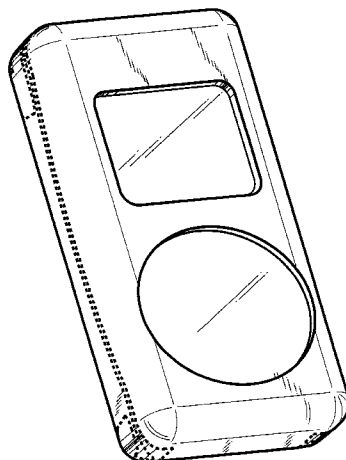
(57) **CLAIM**

The ornamental design for a box, as shown and described.

DESCRIPTION

FIG. 1 is an isometric view of a box showing my new design.
FIG. 2 is a front view thereof.
FIG. 3 is a top view thereof.
FIG. 4 is a right side view thereof.
FIG. 5 is a left side view thereof.
FIG. 6 is a bottom view thereof; and,
FIG. 7 is a rear view thereof.
The broken lines showing are for illustrative purposes and form no part of the claimed design.

1 Claim, 7 Drawing Sheets



US D542,524 S

Page 2

U.S. PATENT DOCUMENTS

D419,297 S	1/2000	Richardson et al.	6,313,892 B2	11/2001	Gleckman	
D419,767 S	2/2000	Richardson et al.	6,317,313 B1	11/2001	Mosgrove et al.	
D419,768 S	2/2000	Richardson et al.	6,415,138 B2	7/2002	Sirola et al.	
6,031,524 A	2/2000	Kunert	6,445,577 B1	9/2002	Madsen et al.	
6,041,924 A	3/2000	Tajima	6,456,487 B1	9/2002	Hetterick et al.	
6,049,813 A	4/2000	Danielson et al.	D464,196 S	10/2002	Parker	
D423,772 S	5/2000	Cooper et al.	6,471,056 B1	10/2002	Tzeng	
6,068,119 A	5/2000	Derr et al.	D465,330 S	11/2002	Parker	
6,078,792 A *	6/2000	Phillips 455/575.1	D470,659 S	2/2003	Story et al.	
D429,884 S	8/2000	Zurwelle et al.	6,519,141 B2	2/2003	Tseng et al.	
6,094,785 A	8/2000	Montgomery et al.	6,536,589 B2	3/2003	Chang	
D433,798 S	11/2000	Weinstock	D472,373 S *	4/2003	Hillman D3/218	
D439,407 S	3/2001	Parker	D472,384 S	4/2003	Richardson	
6,215,474 B1	4/2001	Shah	D476,149 S *	6/2003	Andre et al. D3/218	
D441,954 S	5/2001	Parker	6,646,864 B2	11/2003	Richardson et al.	
6,239,968 B1	5/2001	Kim et al.	6,665,174 B1	12/2003	Derr et al.	
D443,133 S	6/2001	Richardson et al.	D491,543 S *	6/2004	Chang et al. D14/138	
6,273,252 B1	8/2001	Mitchell	2002/0101707 A1	8/2002	Canova et al.	
6,301,100 B1	10/2001	Iwata				

* cited by examiner

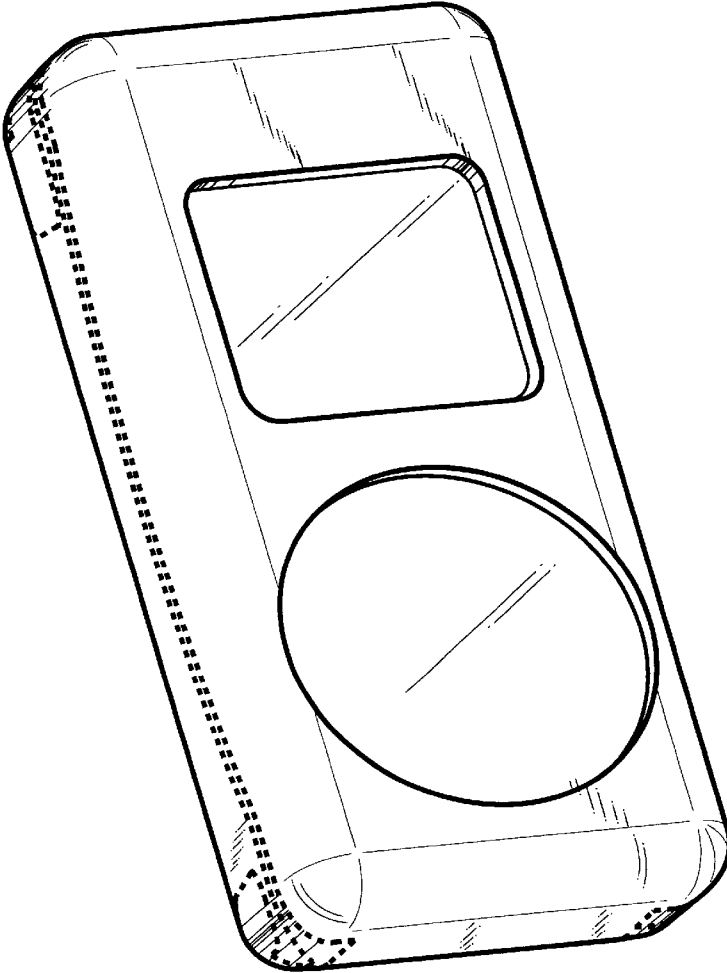


FIGURE 1

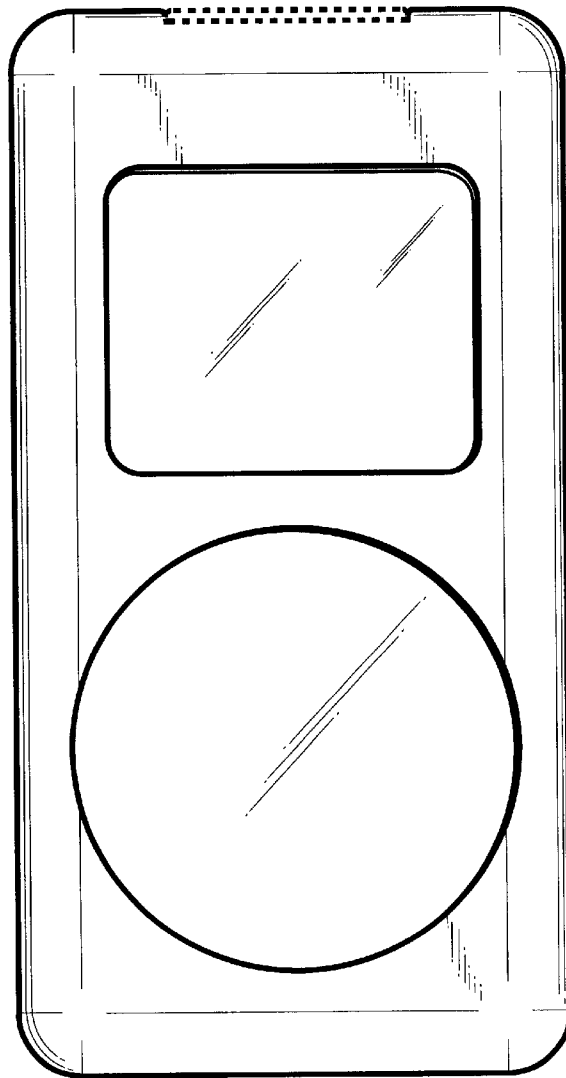


FIGURE 2

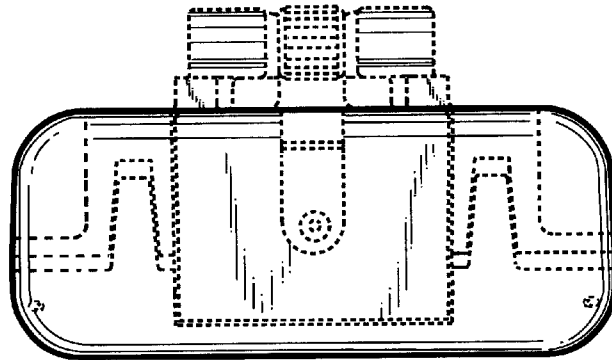


FIGURE 3

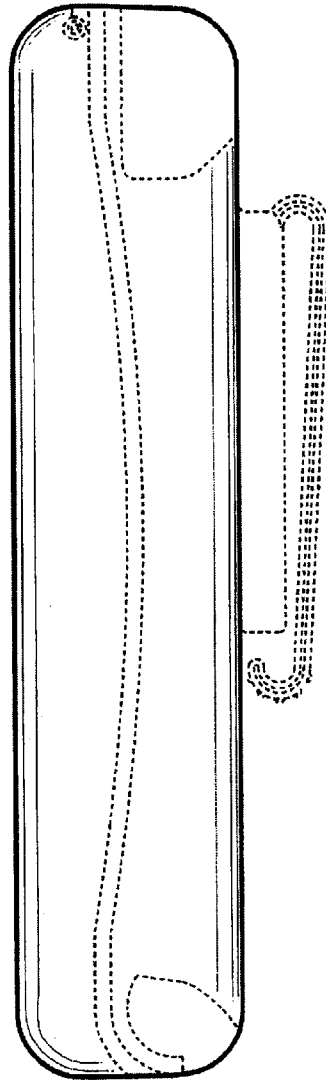


FIG. 4

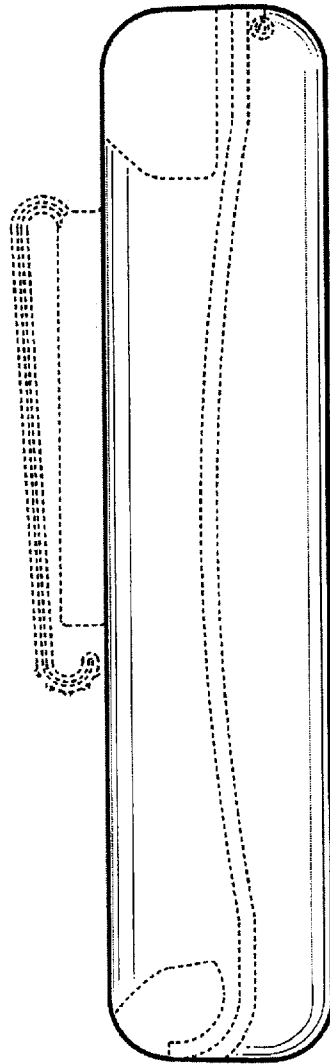


FIG. 5

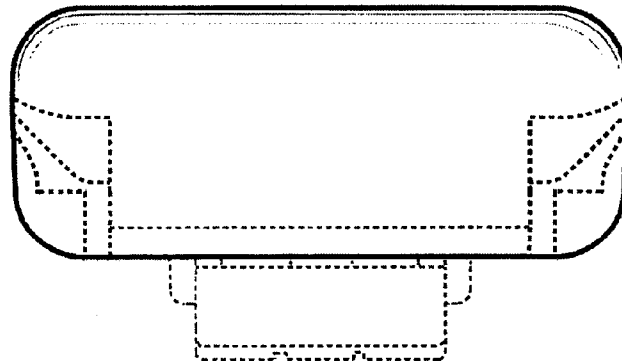


FIG. 6

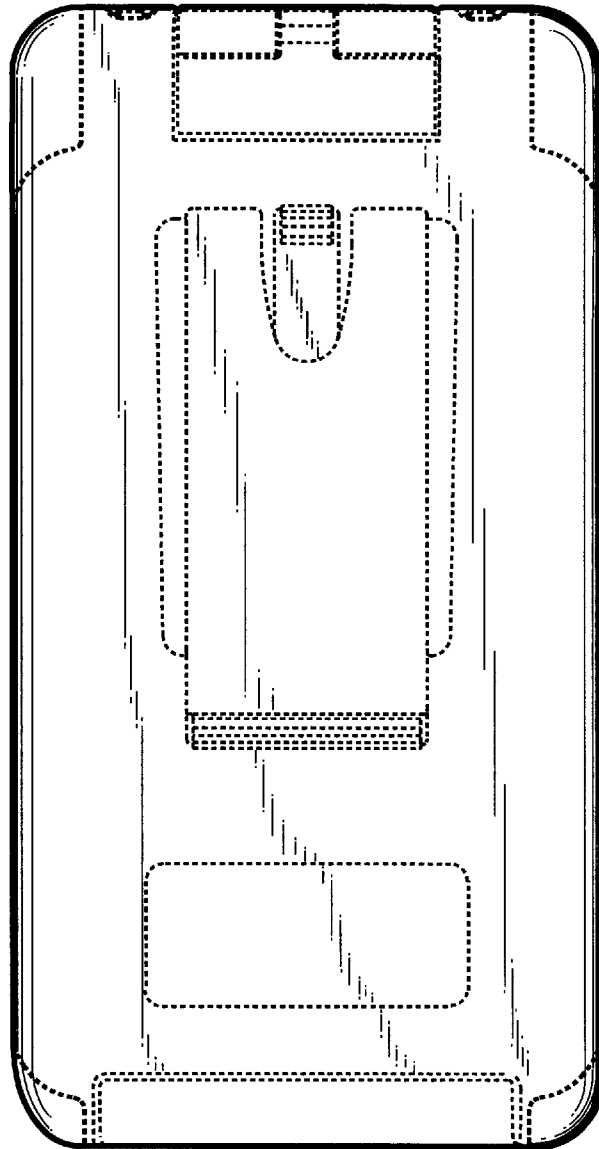


FIGURE 7