



US00D516807S

(12) **United States Design Patent**
Richardson et al.

(10) **Patent No.:** **US D516,807 S**
(45) **Date of Patent:** **** Mar. 14, 2006**

- (54) **BOX**
- (75) Inventors: **Curtis R. Richardson**, Fort Collins, CO (US); **Douglas A. Kempel**, Fort Collins, CO (US)
- (73) Assignee: **Otter Products, LLC**, Fort Collins, CO (US)
- (**) Term: **14 Years**
- (21) Appl. No.: **29/205,708**
- (22) Filed: **May 18, 2004**

4,703,161 A	10/1987	McLean
4,762,227 A	8/1988	Patterson
5,092,459 A	3/1992	Uljanic et al.
D327,646 S	7/1992	Hardigg et al.
D329,747 S	9/1992	Embree
D330,329 S	10/1992	Brightbill
5,175,873 A	12/1992	Goldenberg et al.
D335,220 S	5/1993	Ward et al.
D342,609 S	12/1993	Brightbill
D347,324 S	5/1994	Dickinson
D347,732 S	* 6/1994	Wentz D3/294
D353,048 S	12/1994	VanSkiver et al.

(Continued)

Related U.S. Application Data

- (63) Continuation of application No. 29/205,708, filed on Mar. 8, 2004, now abandoned.
- (51) **LOC (8) Cl.** **03-01**
- (52) **U.S. Cl.** **D3/273**
- (58) **Field of Classification Search** D3/201, D3/272, 273, 276, 281, 282, 294, 295; D9/420, D9/423, 424; D27/189; 206/349, 372, 373; 220/324, 833, 834; 312/905; 190/100
See application file for complete search history.

References Cited

U.S. PATENT DOCUMENTS

2,392,787 A	1/1946	Vermot
D216,853 S	3/1970	Schurman
D220,233 S	3/1971	Schurman
3,590,988 A	7/1971	Hollar
D275,822 S	* 10/1984	Gatland et al. D3/282

Primary Examiner—Philip S. Hyder
(74) *Attorney, Agent, or Firm*—Cochran Freund & Young LLC; William W. Cochran

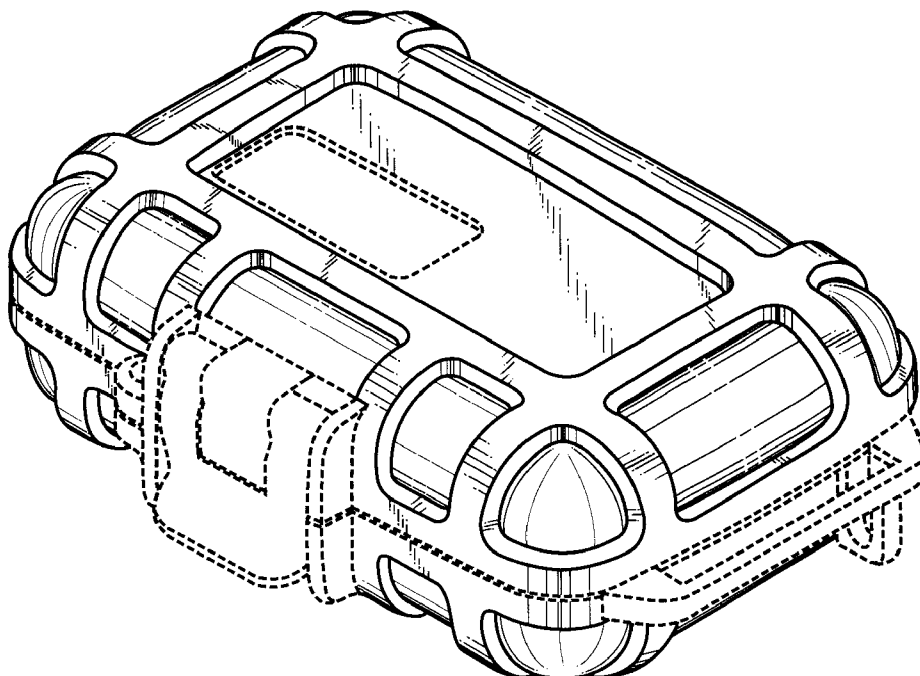
(57) **CLAIM**

The ornamental design for a box, as shown and described.

DESCRIPTION

FIG. 1 is an isometric view of a box showing my new design.
 FIG. 2 is a front view thereof.
 FIG. 3 is a top view thereof.
 FIG. 4 is a left side view thereof.
 FIG. 5 is a rear view thereof.
 FIG. 6 is a right side view thereof; and,
 FIG. 7 is a bottom view thereof.
 The broken line portions of the disclosure are for illustrative purposes only and form no part of the claimed design.

1 Claim, 7 Drawing Sheets



US D516,807 S

Page 2

U.S. PATENT DOCUMENTS

D381,512 S	7/1997	Green		6,239,968 B1	5/2001	Kim et al.
D386,611 S	11/1997	Sheu		D443,133 S	6/2001	Richardson et al.
D402,105 S	12/1998	Erickson		6,273,252 B1	8/2001	Mitchell
D409,374 S	5/1999	Laba et al.		6,301,100 B1	10/2001	Iwata
D412,062 S	7/1999	Potter et al.		6,313,892 B1	11/2001	Gleckman
D413,202 S	* 8/1999	Schmitt et al. D3/276	6,313,982 B1	11/2001	Hino
D413,203 S	8/1999	Zurwelle et al.		6,317,313 B1	11/2001	Mosgrove et al.
D419,297 S	* 1/2000	Richardson et al. D3/273	6,388,877 B1	5/2002	Canova, Jr. et al.
D419,767 S	* 2/2000	Richardson et al. D3/273	6,415,138 B1	7/2002	Sirola et al.
D419,768 S	* 2/2000	Richardson et al. D3/273	6,445,577 B1	9/2002	Madsen et al.
6,031,524 A	2/2000	Kunert		6,456,487 B1	9/2002	Hetterick
6,041,924 A	3/2000	Tajima		D464,196 S	* 10/2002	Parker D3/273
6,049,813 A	4/2000	Danielson et al.		6,471,056 B1	10/2002	Tzeng
D423,772 S	5/2000	Cooper et al.		D465,330 S	* 11/2002	Parker D3/273
6,068,119 A	5/2000	Derr et al.		D470,659 S	* 2/2003	Story et al. D3/291
D429,884 S	8/2000	Zurwelle et al.		6,519,141 B1	2/2003	Tseng et al.
6,094,785 A	8/2000	Montgomery et al.		6,536,589 B1	3/2003	Chang
D433,798 S	11/2000	Weinstock		D472,384 S	4/2003	Richardson
D439,407 S	* 3/2001	Parker D3/276	6,646,864 B1	11/2003	Richardson et al.
6,215,474 B1	4/2001	Shah		6,665,174 B1	12/2003	Derr et al.
D441,954 S	* 5/2001	Parker D3/279	2002/0101707 A1	8/2002	Canova et al.

* cited by examiner

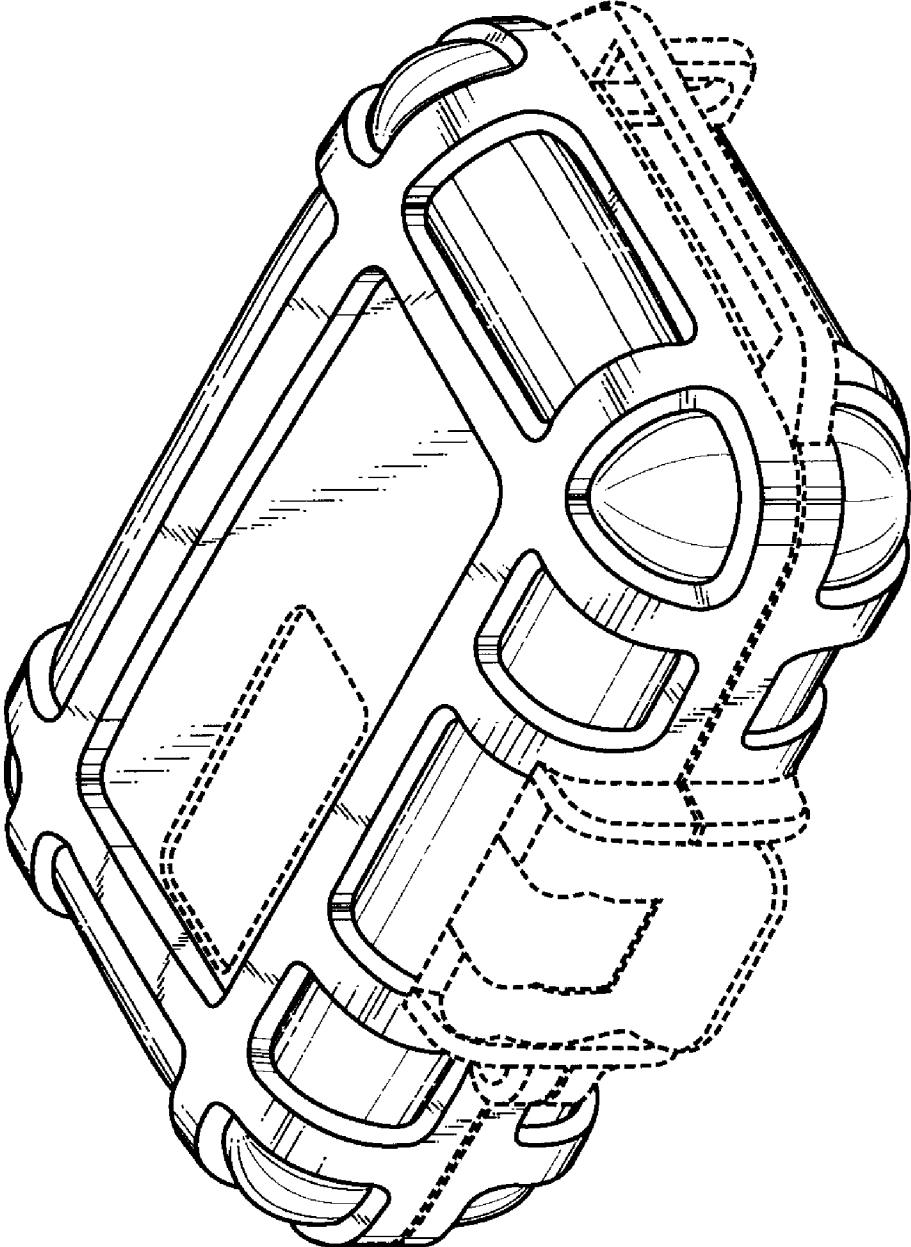


FIGURE 1

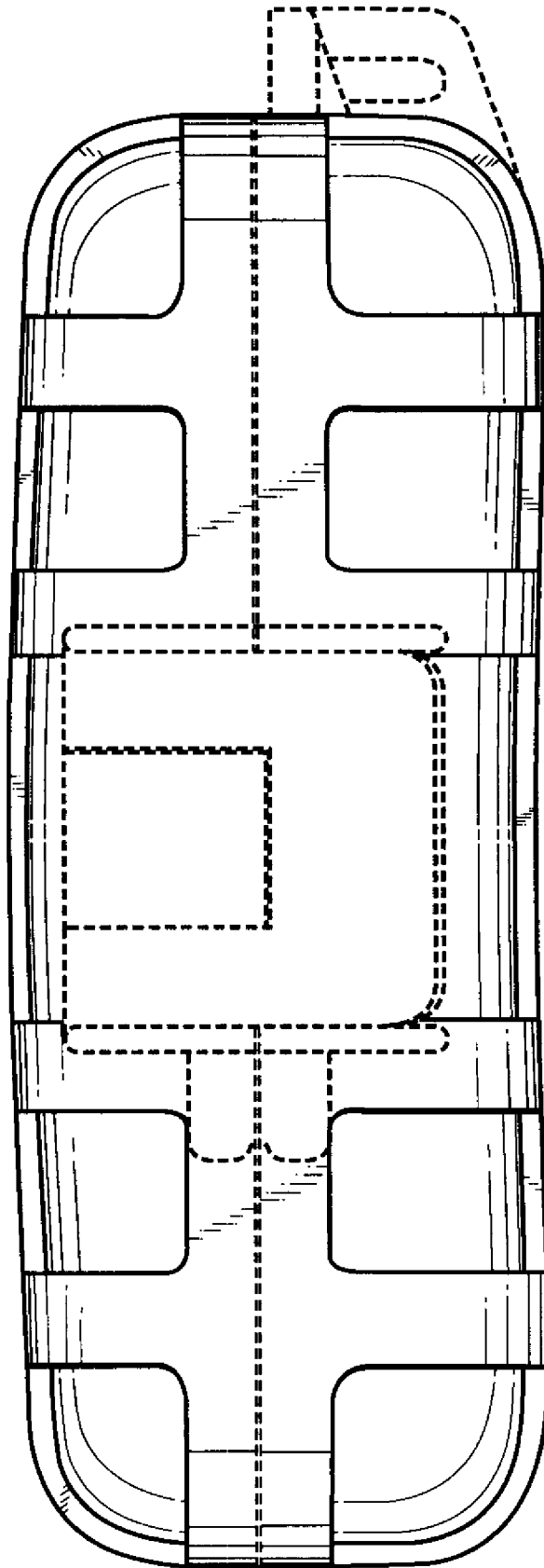


FIGURE 2

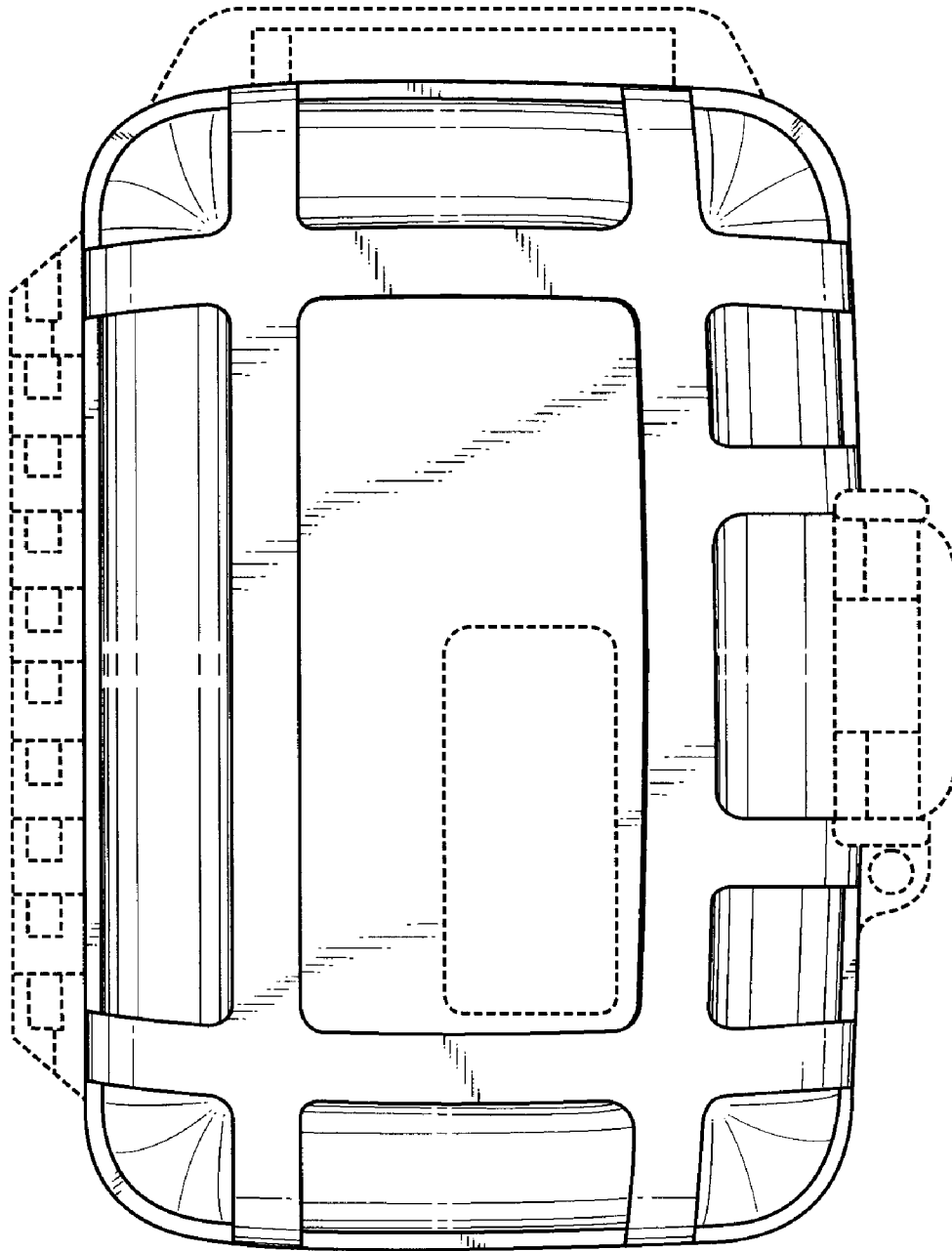


FIGURE 3

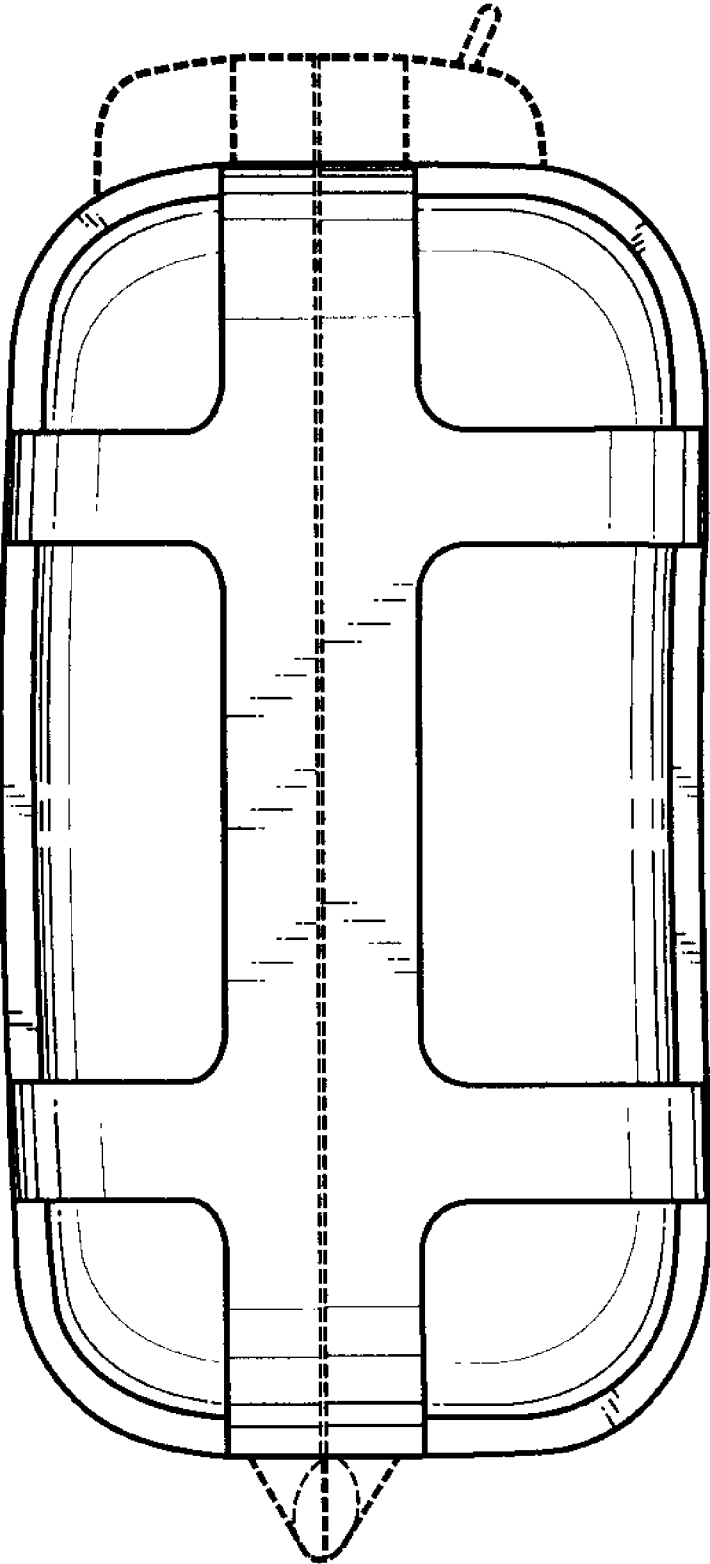


FIGURE 4

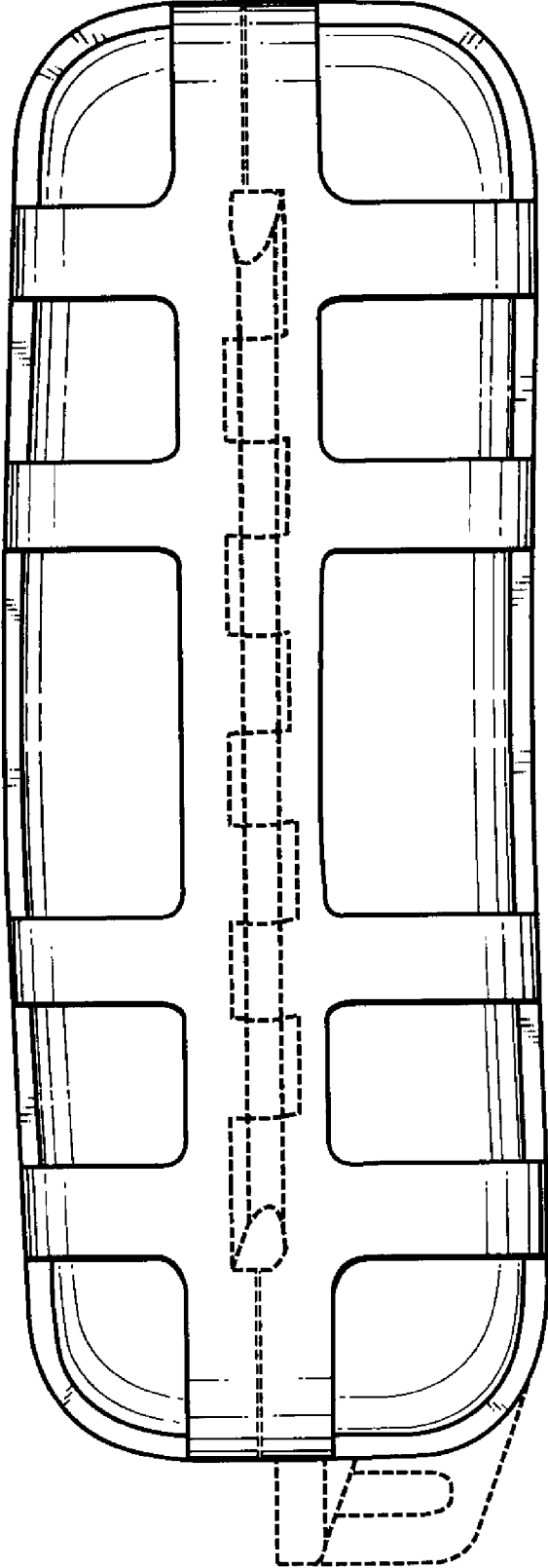


FIGURE 5

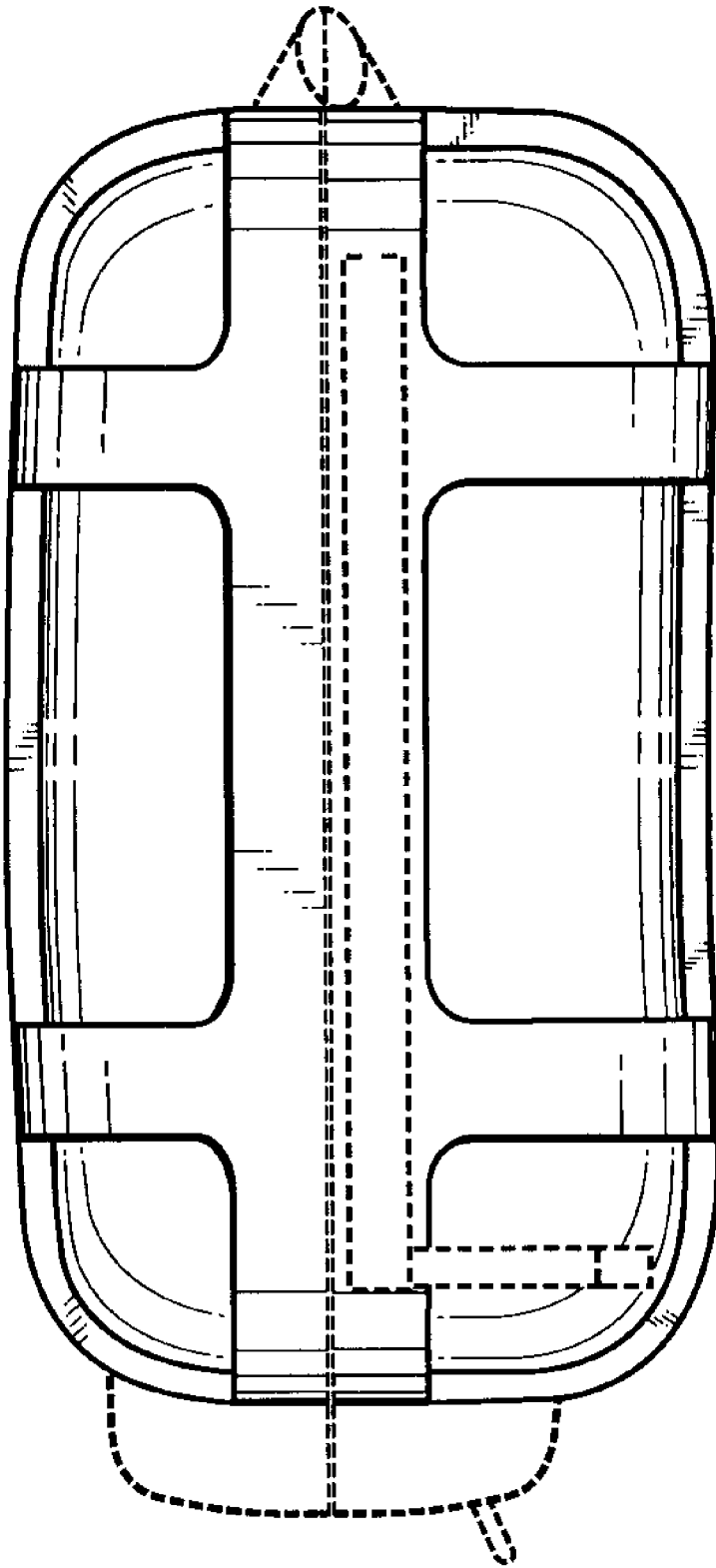


FIGURE 6

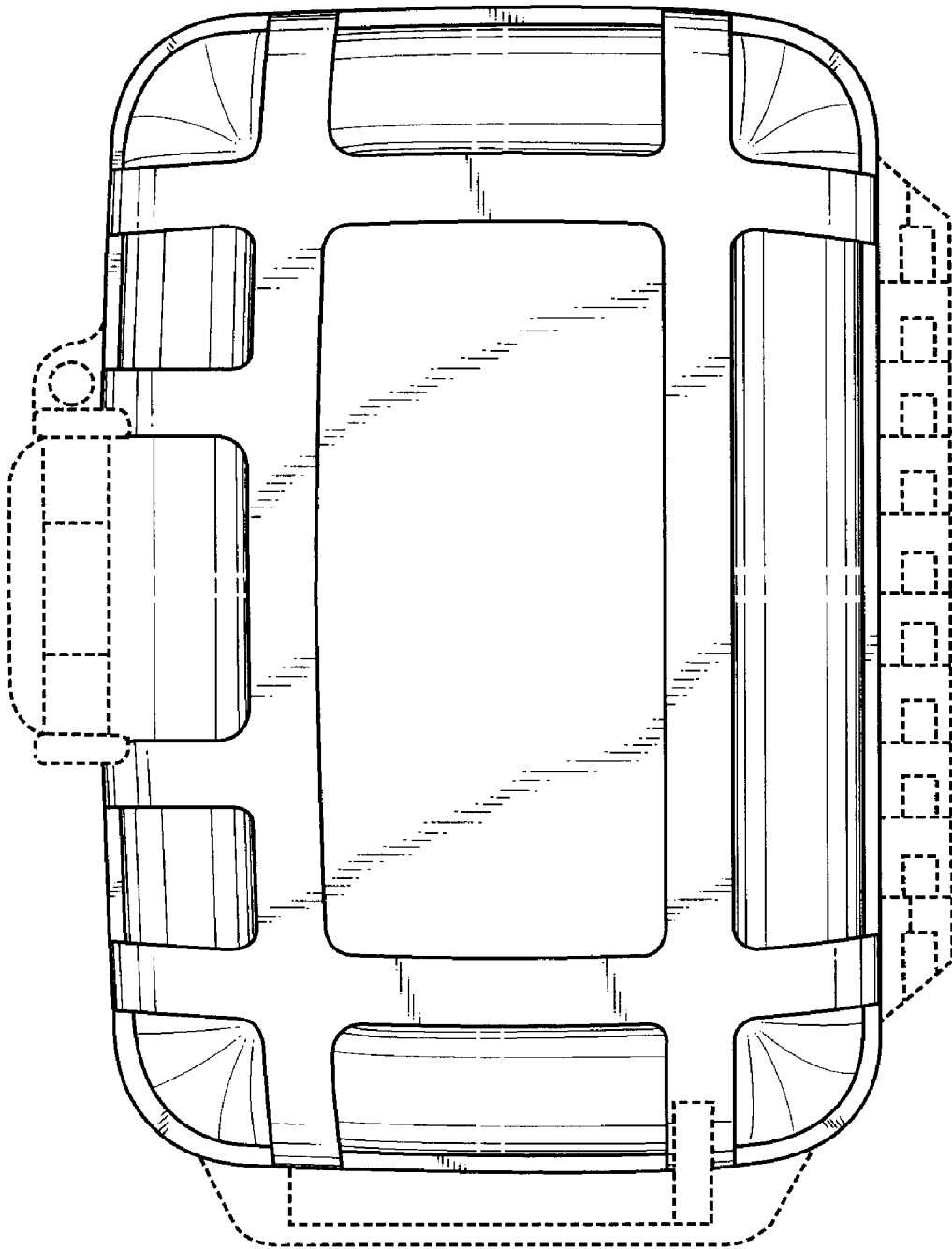


FIGURE 7