



US00D513123S

(12) **United States Design Patent**
Richardson et al.

(10) **Patent No.:** **US D513,123 S**

(45) **Date of Patent:** **** Dec. 27, 2005**

- (54) **BOX**
- (75) Inventors: **Curtis R. Richardson**, Fort Collins, CO (US); **Douglas A. Kempel**, Fort Collins, CO (US)
- (73) Assignee: **Otter Products, LLC**, Fort Collins, CO (US)
- (**) Term: **14 Years**
- (21) Appl. No.: **29/205,723**
- (22) Filed: **May 18, 2004**

Related U.S. Application Data

- (63) Continuation of application No. 29/201,020, filed on Mar. 8, 2004, now abandoned.
- (51) **LOC (6) Cl.** **03-01**
- (52) **U.S. Cl.** **D3/273**
- (58) **Field of Search** D3/201, 272, 273, D3/276, 281, 282, 294, 295; D9/420, 423, 424; D27/189; 206/349, 372, 373; 220/324, 833, 834; 312/905; 190/100

- D381,512 S 7/1997 Green
- D386,611 S 11/1997 Sheu
- D402,105 S 12/1998 Erickson
- D409,374 S 5/1999 Laba et al.
- D412,062 S 7/1999 Potter et al.
- D413,202 S * 8/1999 Schmitt et al. D3/276
- D413,203 S 8/1999 Zurwelle et al.
- D419,297 S * 1/2000 Richardson et al. D3/273
- D419,767 S * 2/2000 Richardson et al. D3/273
- D419,768 S * 2/2000 Richardson et al. D3/273
- 6,031,524 A 2/2000 Kunert
- 6,041,924 A 3/2000 Tajima
- 6,049,813 A 4/2000 Danielson et al.
- D423,772 S 5/2000 Cooper et al.
- 6,068,119 A 5/2000 Derr et al.
- D429,884 S 8/2000 Zurwelle et al.
- 6,094,785 A 8/2000 Montgomery et al.
- D433,798 S 11/2000 Weinstock
- D439,407 S * 3/2001 Parker D3/276
- 6,215,474 B1 4/2001 Shah
- D441,954 S * 5/2001 Parker D3/279
- 6,239,968 B1 5/2001 Kim et al.
- D443,133 S 6/2001 Richardson et al.
- 6,273,252 B1 8/2001 Mitchell
- 6,301,100 B1 10/2001 Iwata
- 6,313,892 B2 11/2001 Gleckman
- 6,313,982 B1 11/2001 Hino

(Continued)

(56) **References Cited**

U.S. PATENT DOCUMENTS

- 2,392,787 A 1/1946 Vermot
- D216,853 S 3/1970 Schurman
- D220,233 S 3/1971 Schurman
- 3,590,988 A 7/1971 Hollar
- D275,822 S * 10/1984 Gatland et al. D3/282
- 4,703,161 A 10/1987 McLean
- 4,762,227 A 8/1988 Patterson
- 5,092,459 A 3/1992 Uljanic et al.
- D327,646 S 7/1992 Hardigg et al.
- D329,747 S 9/1992 Embree
- D330,329 S 10/1992 Brightbill
- 5,175,873 A 12/1992 Goldenburg et al.
- D335,220 S 5/1993 Ward et al.
- D342,609 S 12/1993 Brightbill
- D347,324 S 5/1994 Dickenson
- D347,732 S * 6/1994 Wentz D3/294
- D353,048 S 12/1994 VanSkiver et al.

Primary Examiner—Philip S. Hyder
(74) *Attorney, Agent, or Firm*—Cochran Freund & Young LLC; William W. Cochran

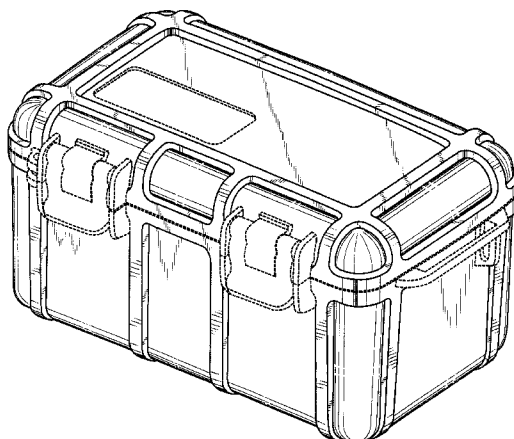
(57) **CLAIM**

The ornamental design for a box, as shown and described.

DESCRIPTION

FIG. 1 is an isometric view of a box showing my new design.
FIG. 2 is a front view thereof.
FIG. 3 is a top view thereof.
FIG. 4 is a right side view thereof.
FIG. 5 is a left side view thereof.
FIG. 6 is a rear view thereof; and,
FIG. 7 is a bottom view thereof.
The broken line portions of the disclosure are for illustrative purposes only and form no part of the claimed design.

1 Claim, 7 Drawing Sheets



US D513,123 S

Page 2

U.S. PATENT DOCUMENTS

| | | | | | | | |
|-----------|----|-----------|--------------------|--------|--------------|----|-----------------------------------|
| 6,317,313 | B1 | 11/2001 | Mosgrove et al. | | | | |
| 6,388,877 | B1 | 5/2002 | Canova, Jr. et al. | | | | |
| 6,415,138 | B2 | 7/2002 | Sirola et al. | | | | |
| 6,445,577 | B1 | 9/2002 | Madsen et al. | | | | |
| 6,456,487 | B1 | 9/2002 | Hetterick et al. | | | | |
| D464,196 | S | * 10/2002 | Parker | D3/273 | | | |
| 6,471,056 | B1 | 10/2002 | Tzeng | | | | |
| D465,330 | S | * 11/2002 | Parker | D3/273 | | | |
| | | | | | D470,659 | S | * 2/2003 Story et al. D3/291 |
| | | | | | 6,519,141 | B2 | 2/2003 Tseng et al. |
| | | | | | 6,536,589 | B2 | 3/2003 Chang |
| | | | | | D472,384 | S | 4/2003 Richardson |
| | | | | | 6,646,864 | B2 | 11/2003 Richardson et al. |
| | | | | | 6,665,174 | B1 | 12/2003 Derr et al. |
| | | | | | 2002/0101707 | A1 | 8/2002 Canova et al. |

* cited by examiner

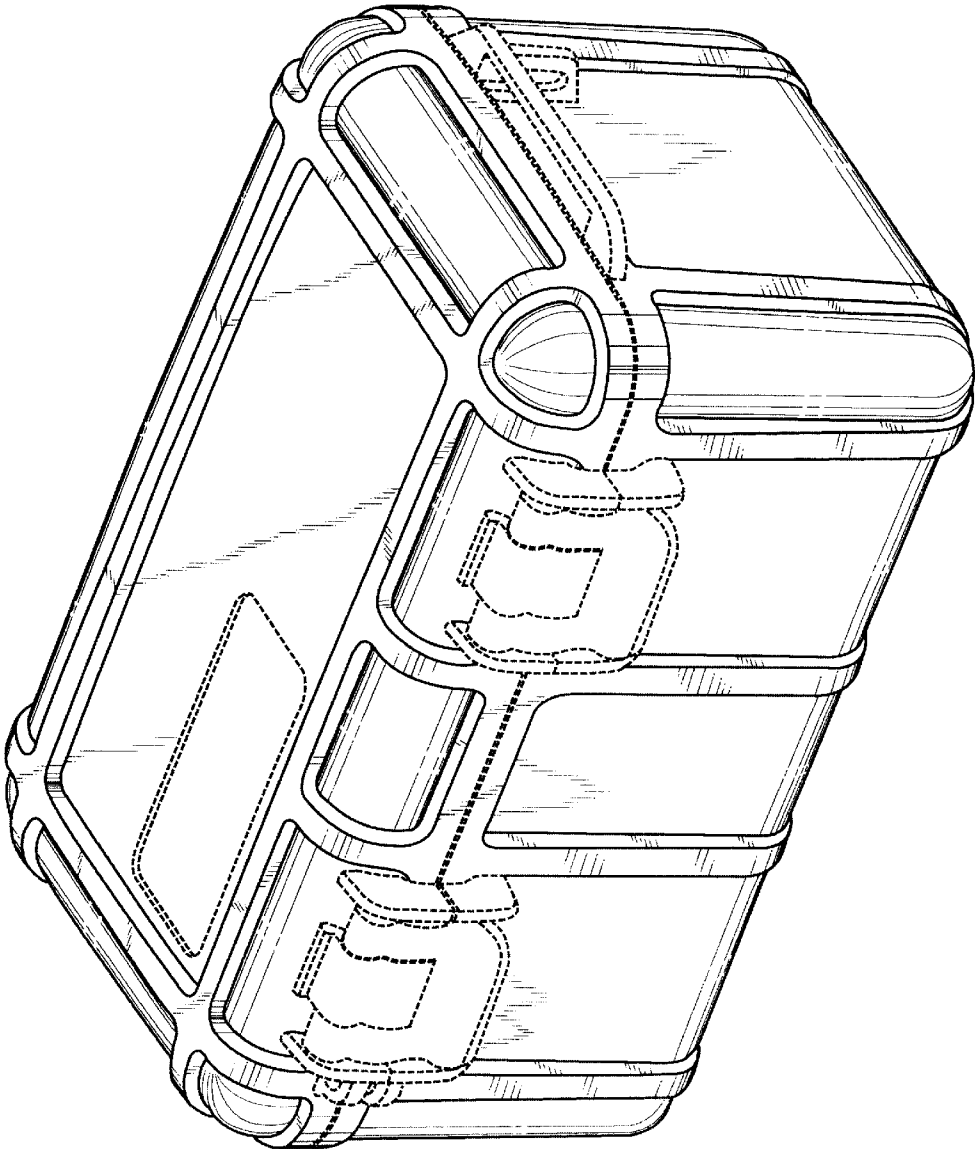


FIGURE 1

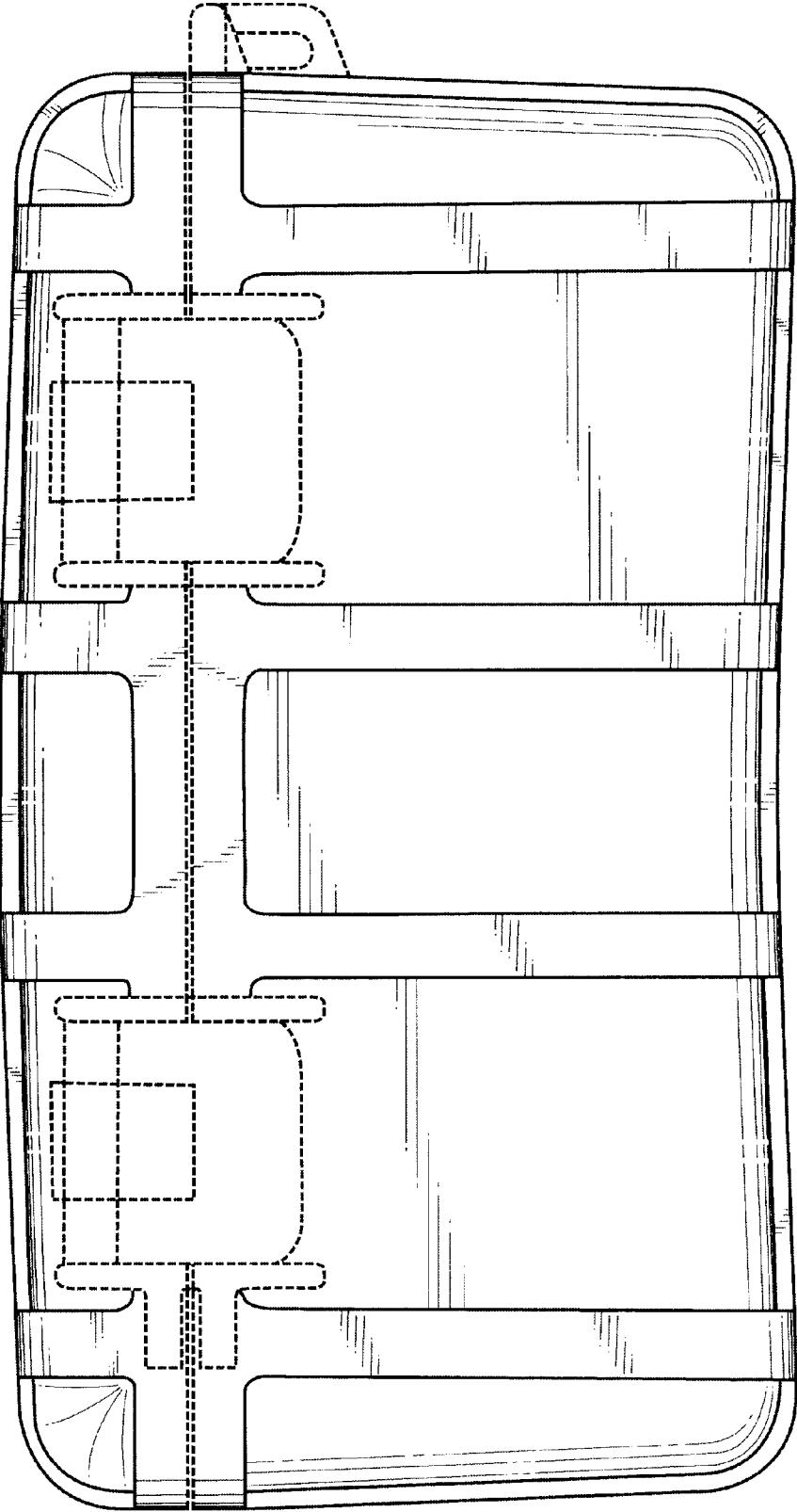


FIGURE 2

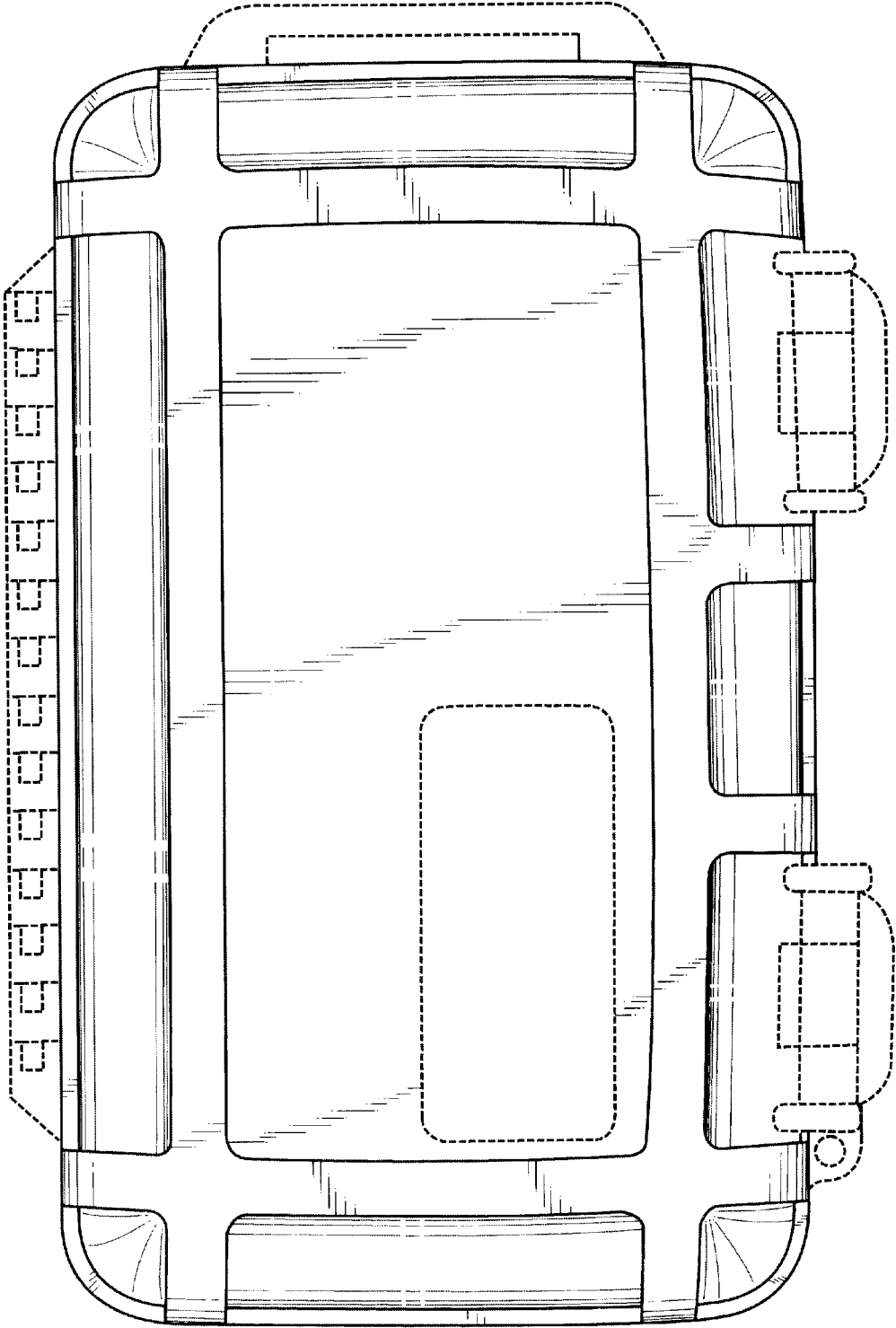


FIGURE 3

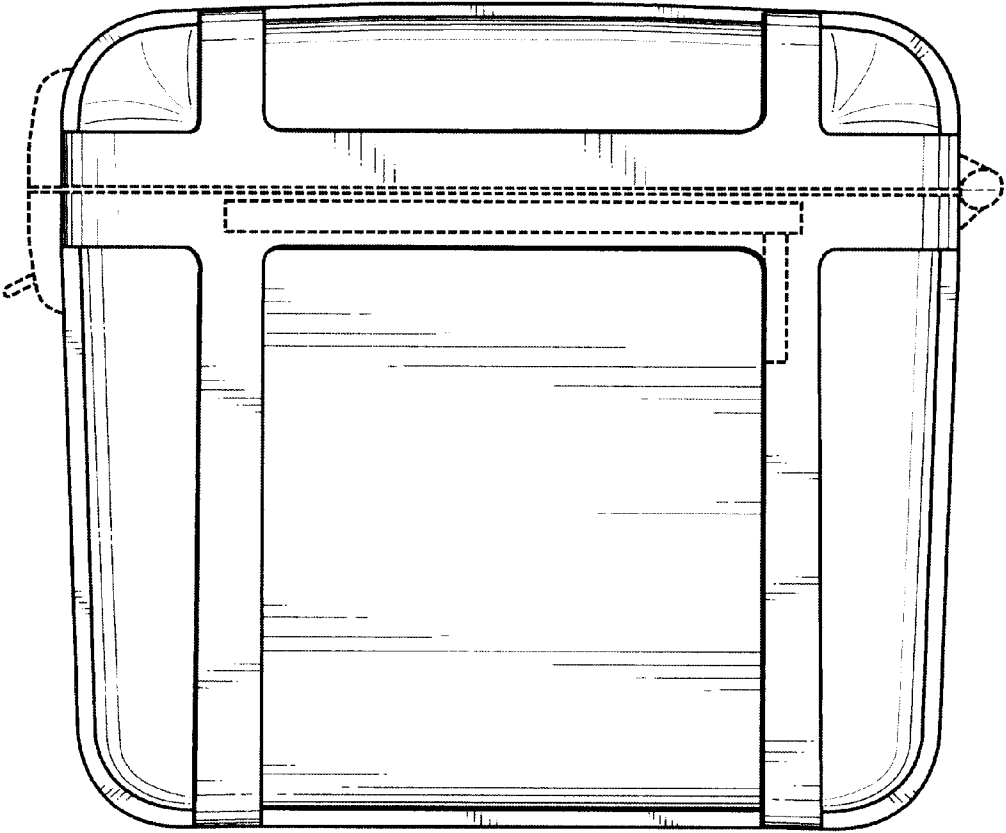


FIGURE 4

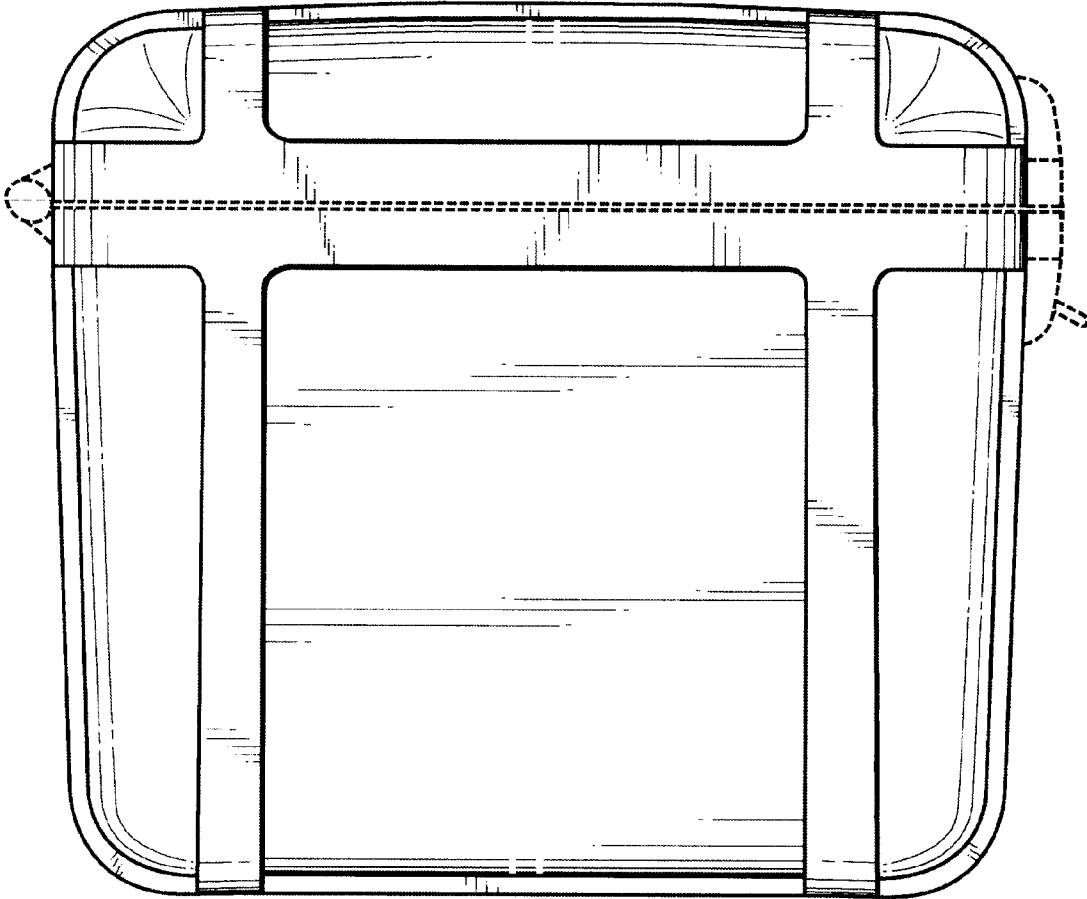


FIGURE 5

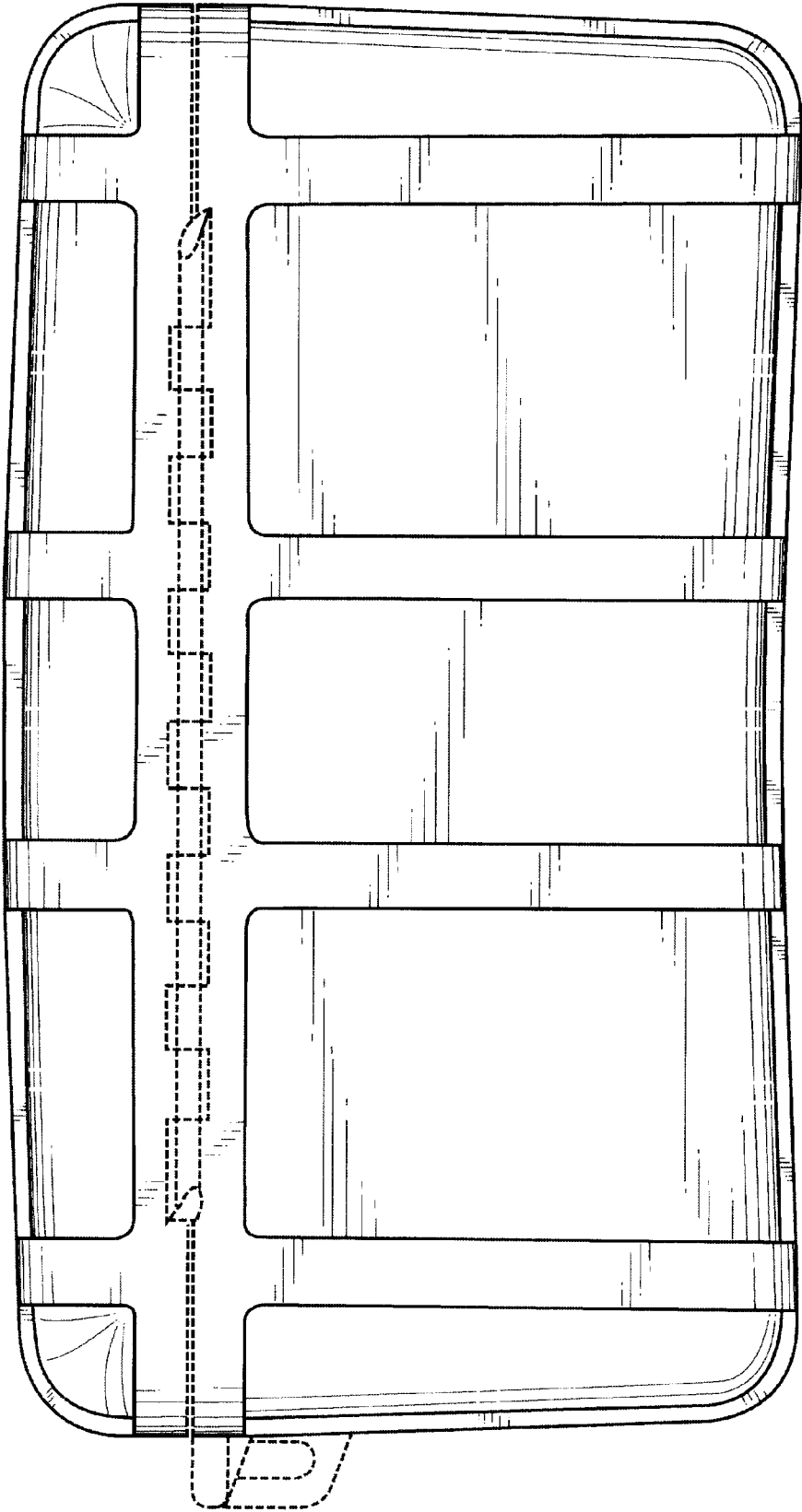


FIGURE 6

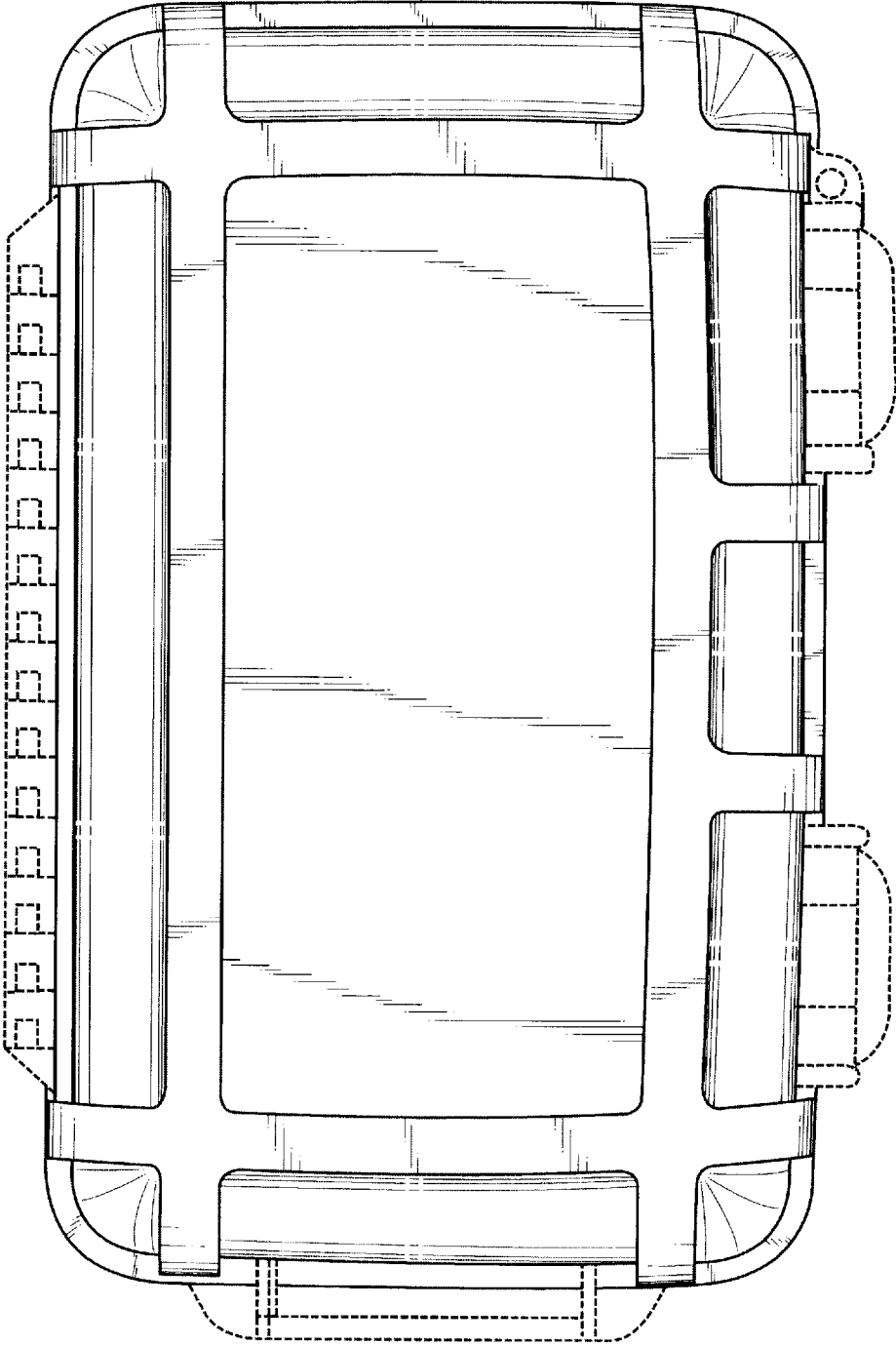


FIGURE 7