



US00D472384S

(12) **United States Design Patent** (10) **Patent No.:** **US D472,384 S**
Richardson (45) **Date of Patent:** **** Apr. 1, 2003**

(54) **WEATHER PROOF BOX**

D429,884 S * 8/2000 Zurwelle et al. D3/281
D439,407 S * 3/2001 Parker D3/276

(75) Inventor: **Curtis R. Richardson**, Fort Collins,
CO (US)

* cited by examiner

(73) Assignee: **Otter Products, LLC**, Fort Collins, CO
(US)

Primary Examiner—Philip S. Hyder
(74) *Attorney, Agent, or Firm*—Russell S. Krajec

(**) Term: **14 Years**

(57) **CLAIM**

(21) Appl. No.: **29/150,779**

The ornamental design for a weather proof box, as shown
and described.

(22) Filed: **Nov. 28, 2001**

DESCRIPTION

(51) **LOC (7) Cl.** **03-01**

(52) **U.S. Cl.** **D3/273**

(58) **Field of Search** D3/201, 272, 273,
D3/276, 281, 282, 294; D9/420, 423, 424;
206/349, 372, 373, 508; 190/100, 110,
111, 109; 220/334, 338, 344

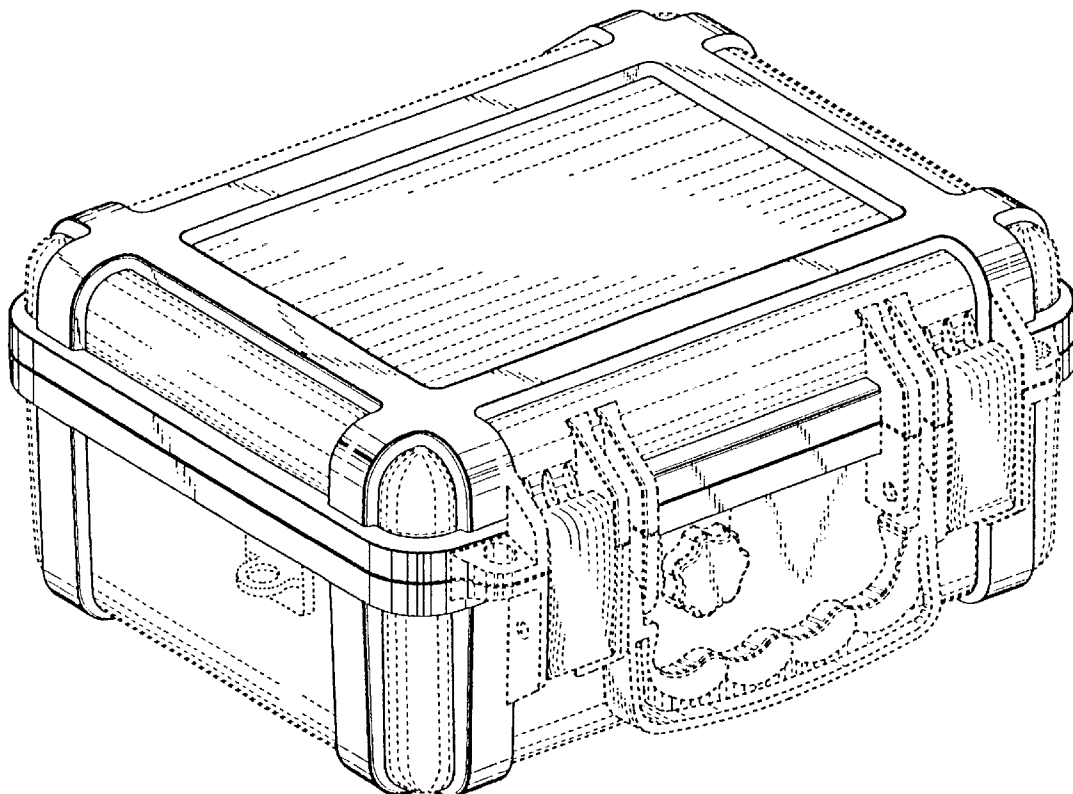
FIG. 1 is an isometric view of a weather proof box showing
my new design;
FIG. 2 is a top plan view thereof;
FIG. 3 is a front elevational view thereof;
FIG. 4 is a right side elevational view thereof;
FIG. 5 is a left side elevational view thereof;
FIG. 6 is a rear elevational view thereof;
FIG. 7 is a bottom plan view thereof;
FIG. 8 is an isometric view of a second embodiment of a
weather proof box showing my new design;
FIG. 9 is a top plan view thereof;
FIG. 10 is a front elevational view thereof;
FIG. 11 is a right side elevational view thereof;
FIG. 12 is a left side elevational view thereof;
FIG. 13 is a rear elevational view thereof; and,
FIG. 14 is a bottom plan view thereof.

(56) **References Cited**

U.S. PATENT DOCUMENTS

D275,822 S	*	10/1984	Gatland et al.	D3/282
D347,324 S	*	5/1994	Dickinson	D3/272
D353,048 S	*	12/1994	VanSkiver et al.	D3/276
D413,202 S	*	8/1999	Schmidt et al.	D3/276
D413,203 S	*	8/1999	Zurwelle et al.	D3/276
D419,297 S	*	1/2000	Richardson et al.	D3/273
D419,767 S	*	2/2000	Richardson et al.	D3/273
D419,768 S	*	2/2000	Richardson et al.	D3/273
D423,772 S	*	5/2000	Cooper et al.	D3/218

1 Claim, 14 Drawing Sheets



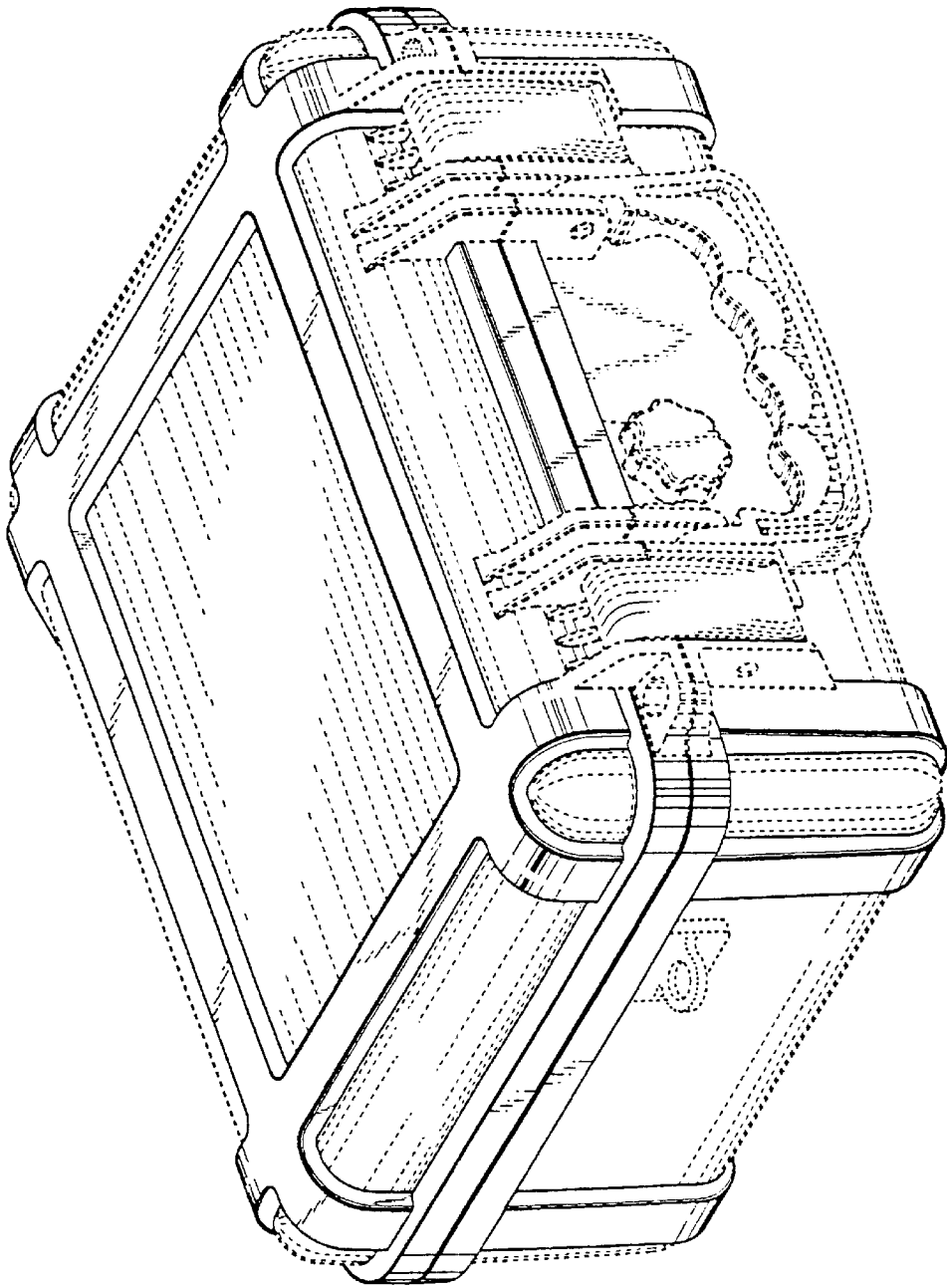
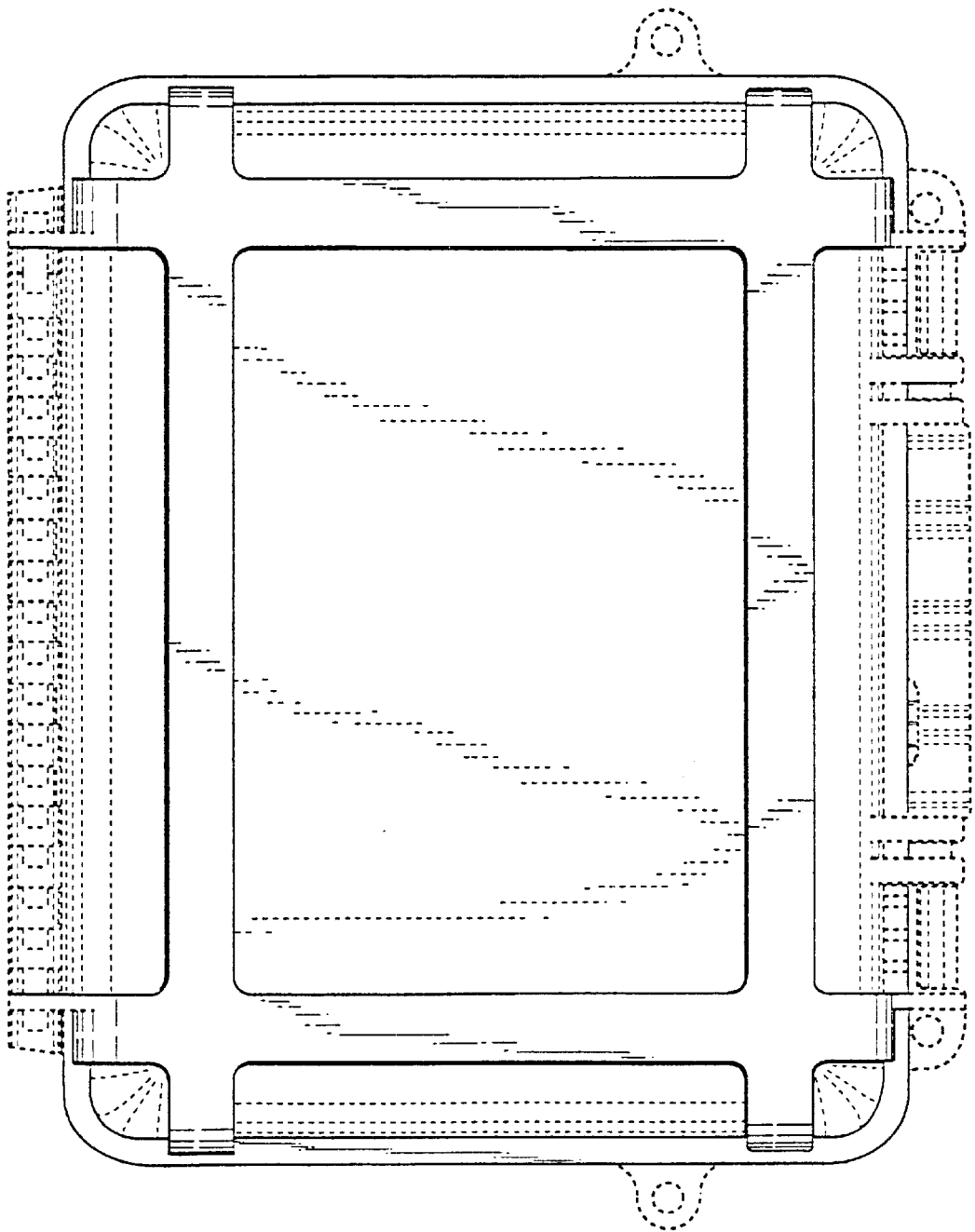


FIGURE 1

FIGURE 2



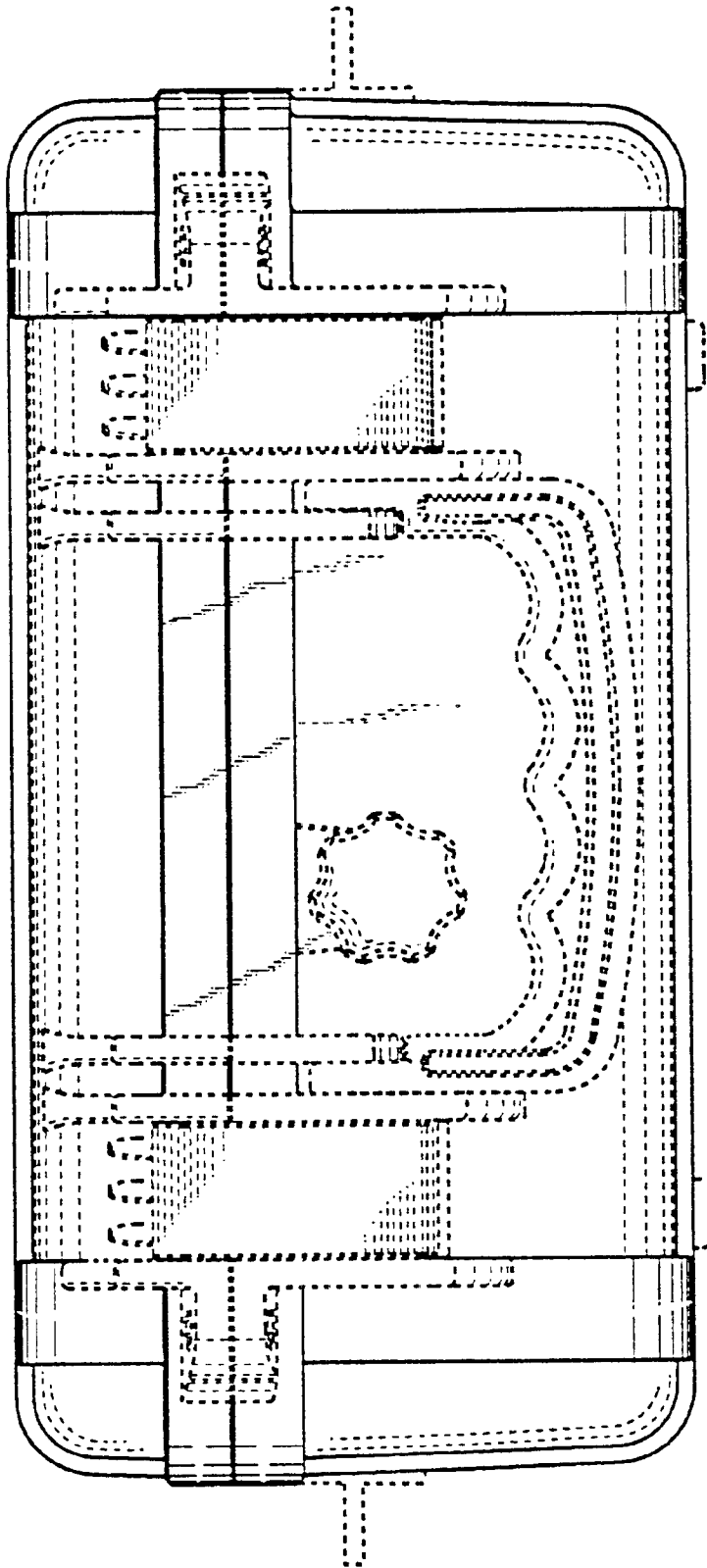


FIGURE 3

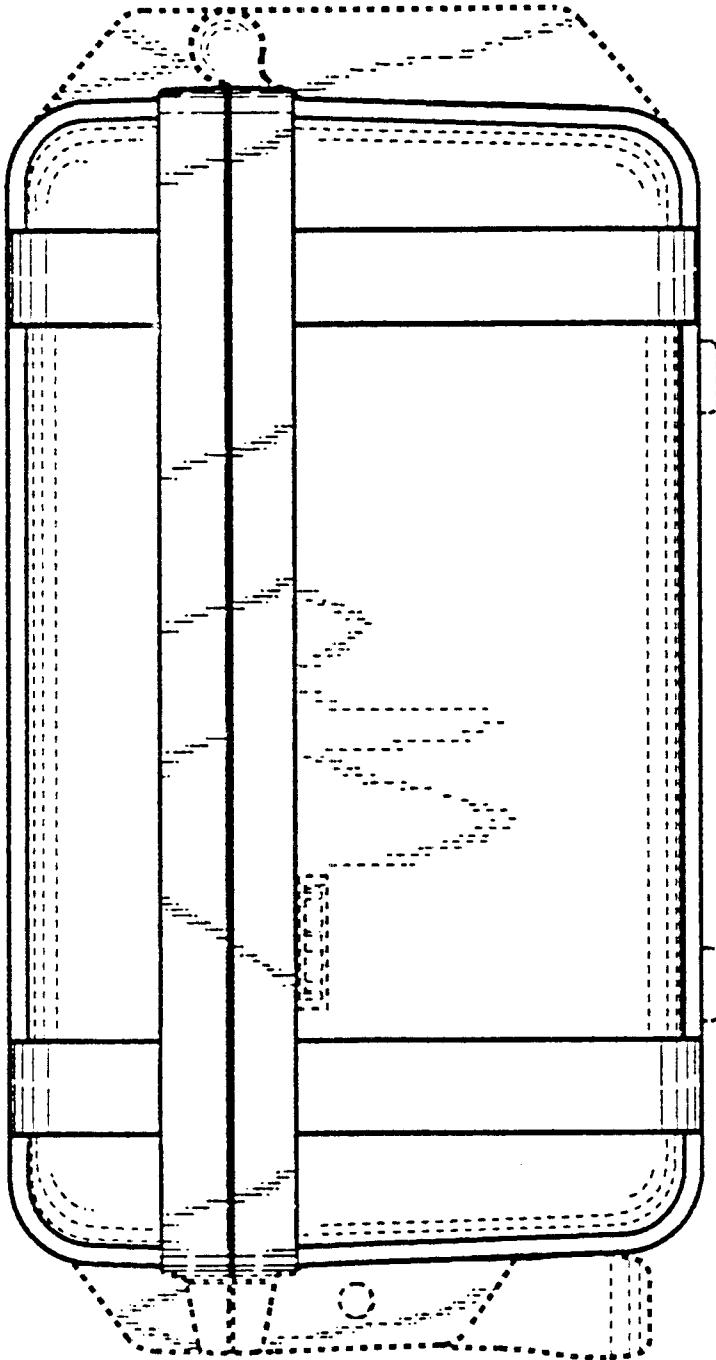


FIGURE 4

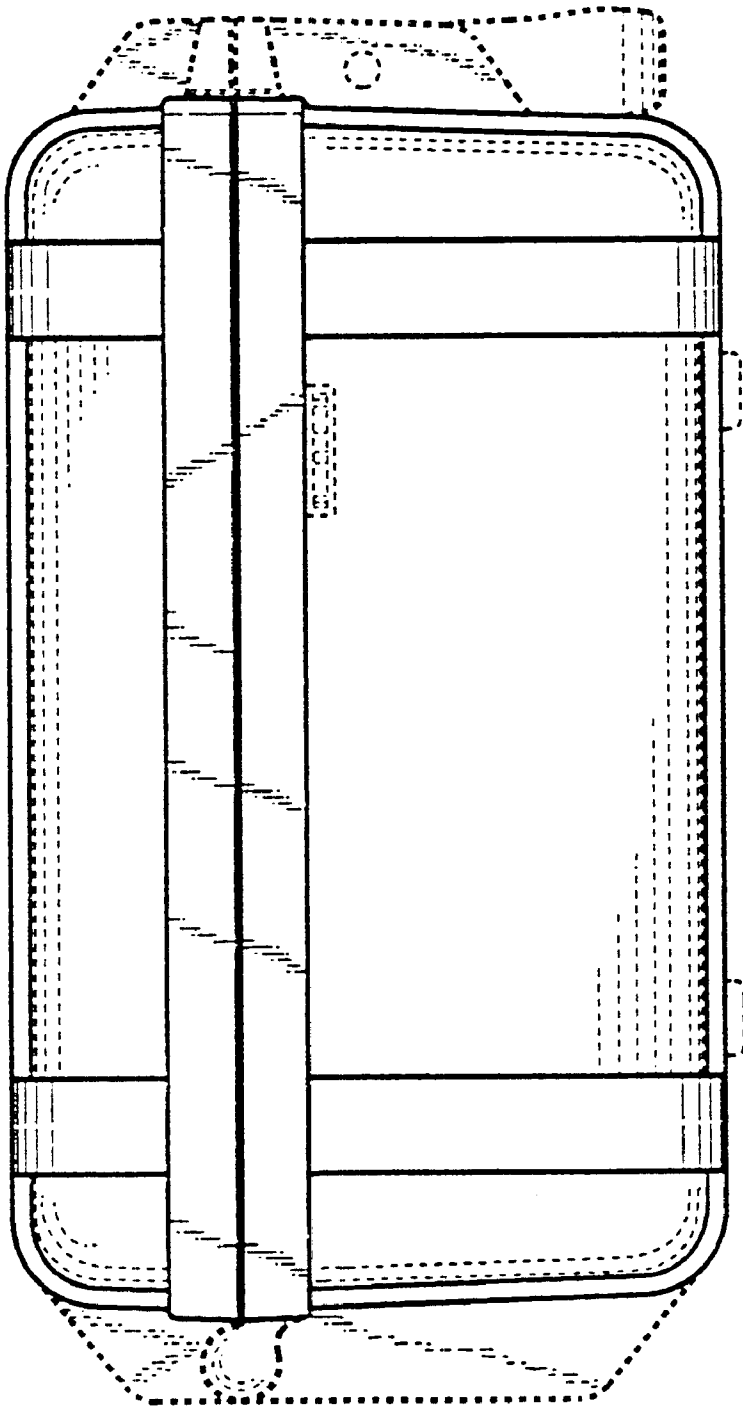


FIGURE 5

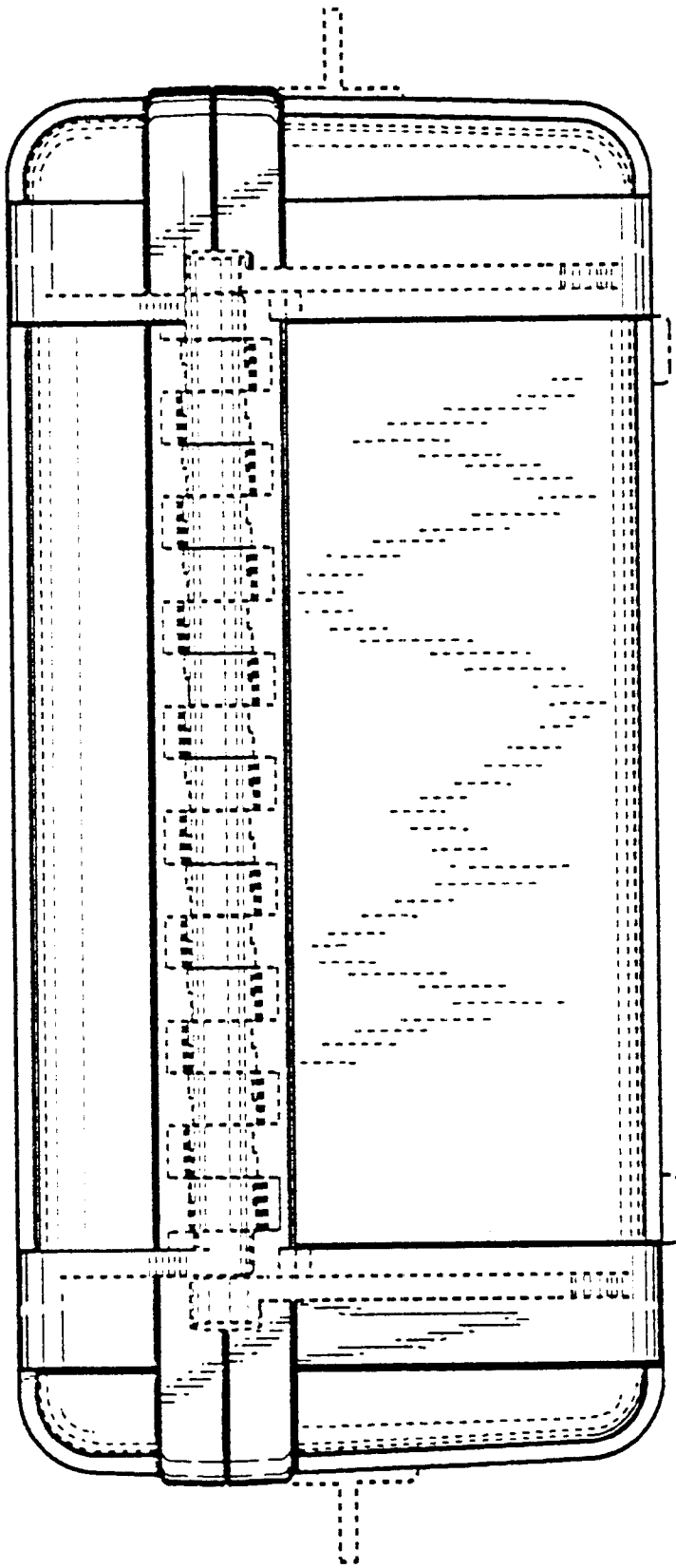
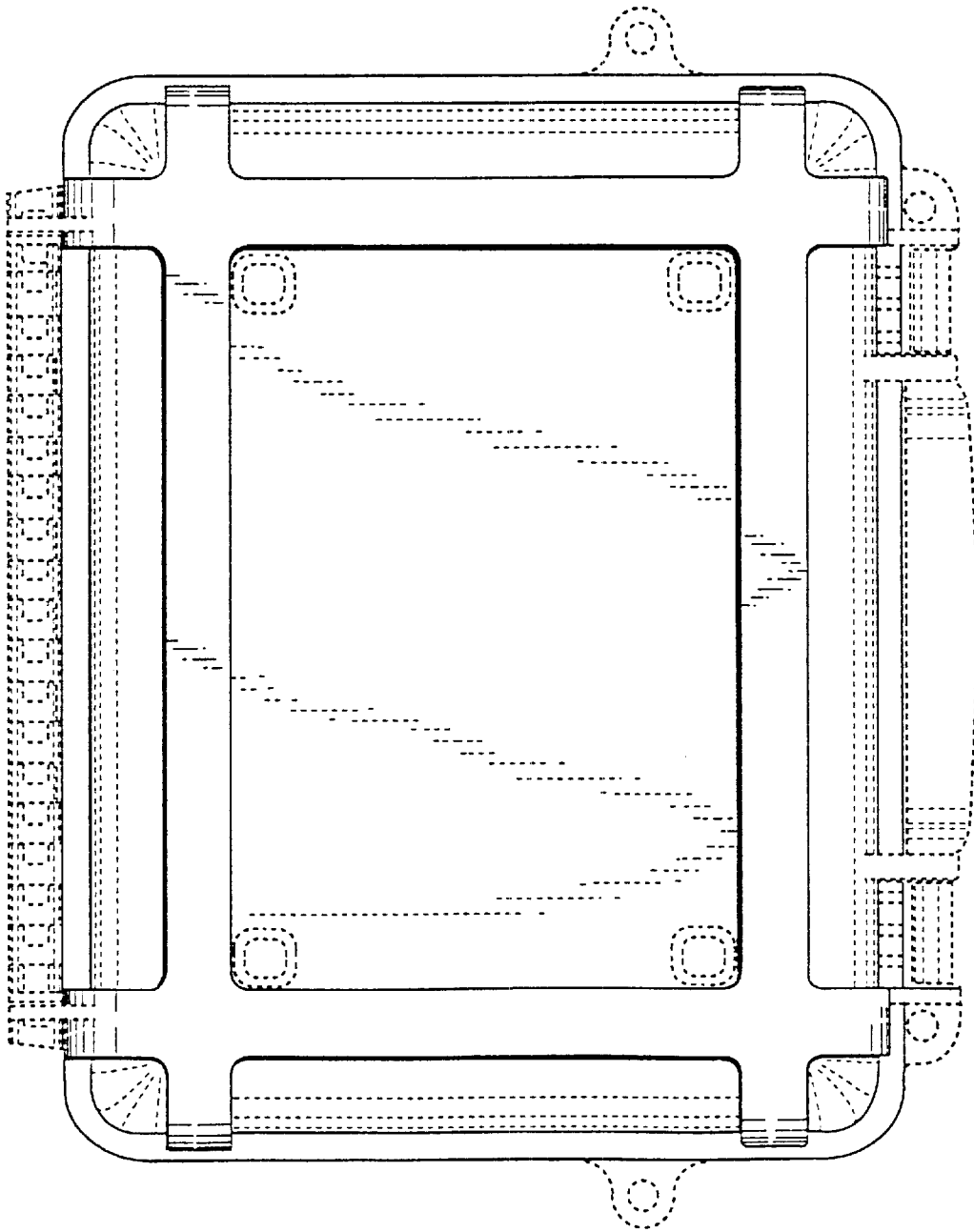


FIGURE 6

FIGURE 7



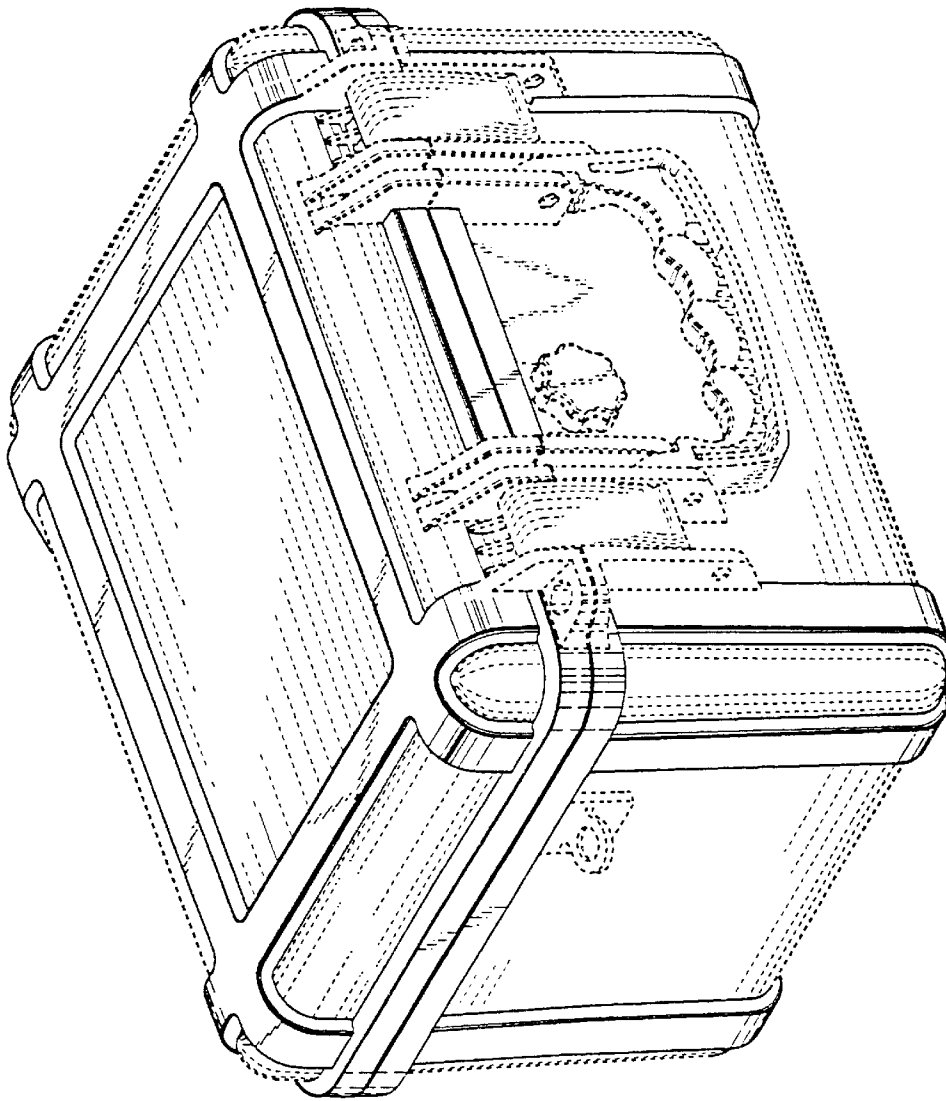
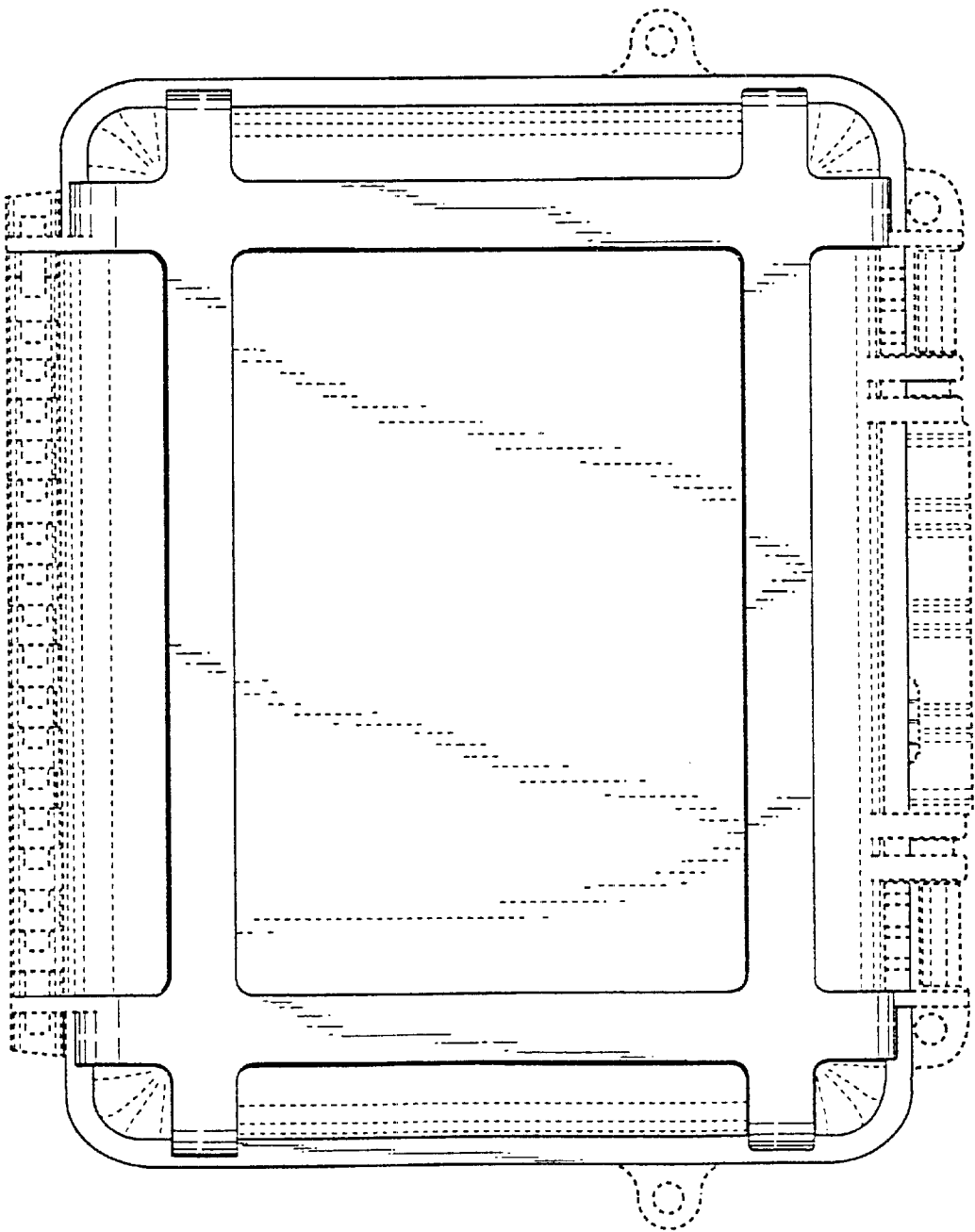


FIGURE 8

FIGURE 9



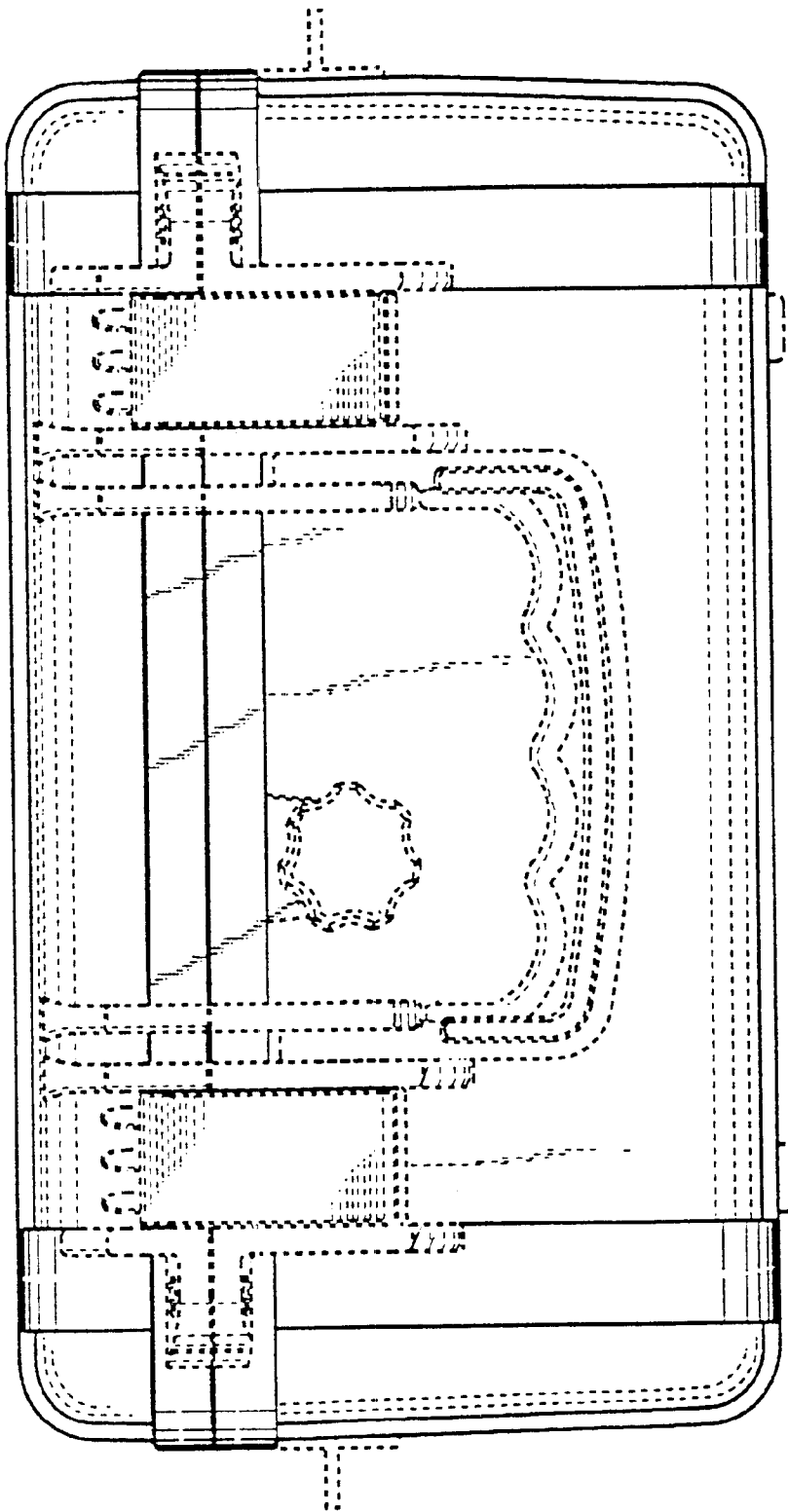


FIGURE 10

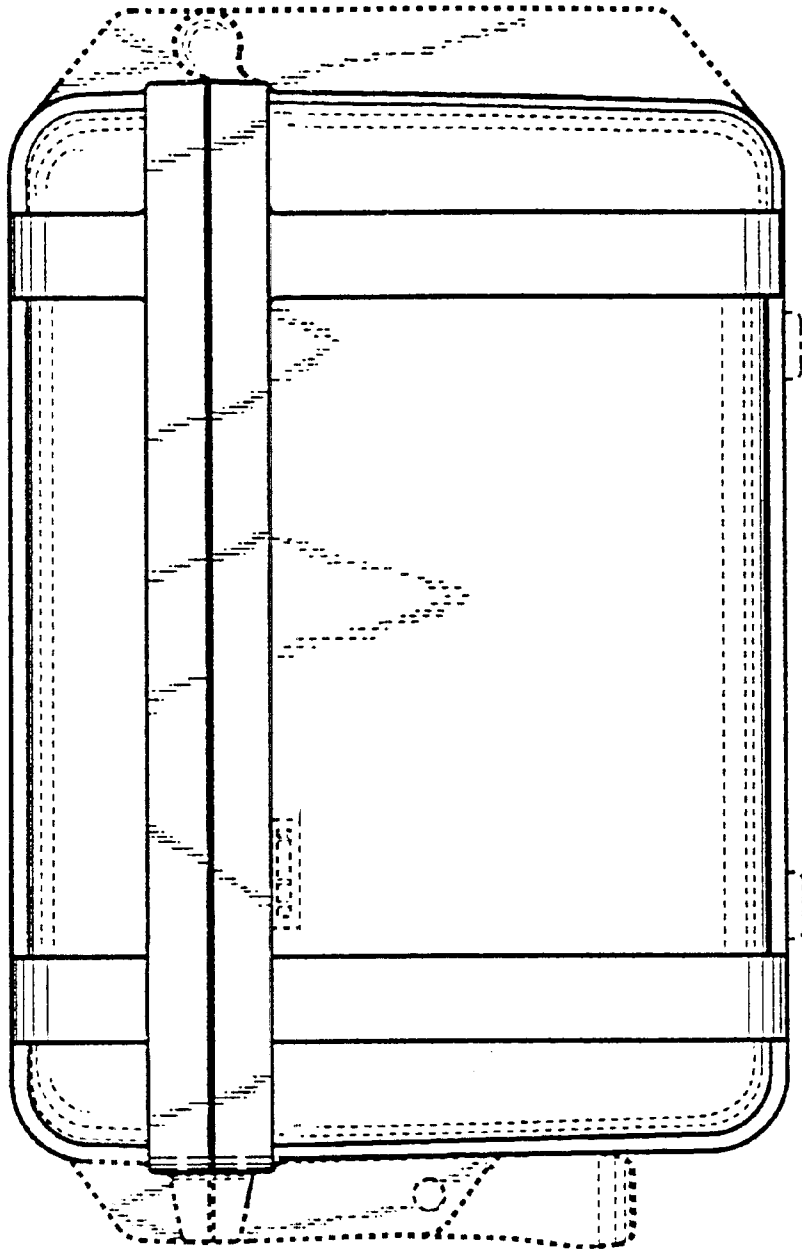


FIGURE 11

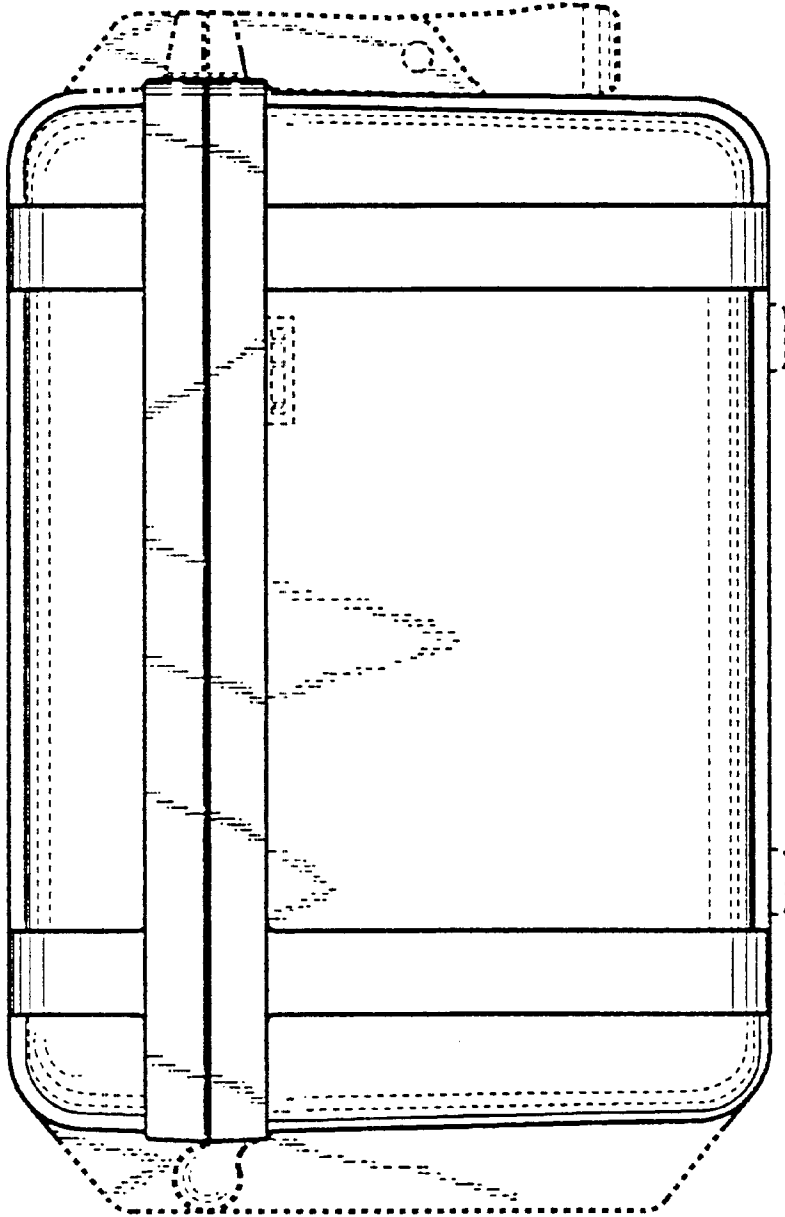


FIGURE 12

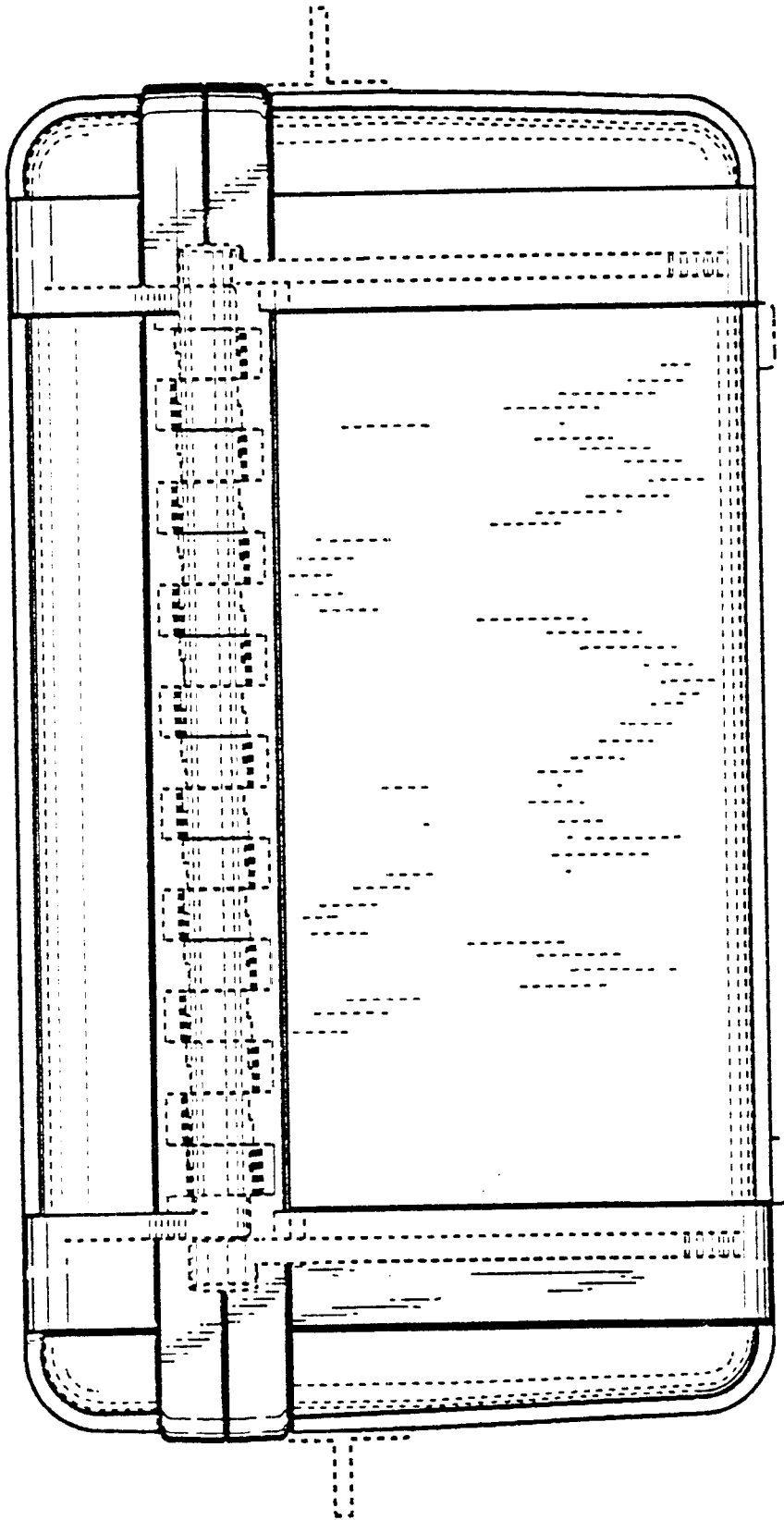


FIGURE 13

FIGURE 14

