



US00D443133S

(12) **United States Design Patent** (10) **Patent No.:** **US D443,133 S**
Richardson et al. (45) **Date of Patent:** **** Jun. 5, 2001**

(54) **WATER-TIGHT CONTAINER**

(76) Inventors: **Curtis Richardson; David Bridge,**
both of 316 S. Link La., Ft. Collins, CO
(US) 80524

(**) Term: **14 Years**

(21) Appl. No.: **29/128,884**

(22) Filed: **Aug. 30, 2000**

(51) **LOC (7) Cl.** **03-01**

(52) **U.S. Cl.** **D3/215; D3/219**

(58) **Field of Search** **D3/215, 224, 226,**
D3/230, 294, 273; 206/811; 220/324, 335,
337

(56) **References Cited**

U.S. PATENT DOCUMENTS

D. 386,611	*	11/1997	Sheu	D3/215
D. 402,105	*	12/1998	Erickson	D3/215
D. 409,374	*	5/1999	Laba et al.	D3/215
D. 412,062	*	7/1999	Potter et al.	D3/294
D. 419,767	*	2/2000	Richardson et al.	D3/273
D. 433,798	*	11/2000	Weinstock	D3/215

* cited by examiner

Primary Examiner—Louis S. Zarfaz
Assistant Examiner—Catherine R. Oliver
(74) *Attorney, Agent, or Firm*—Dean P. Edmundson

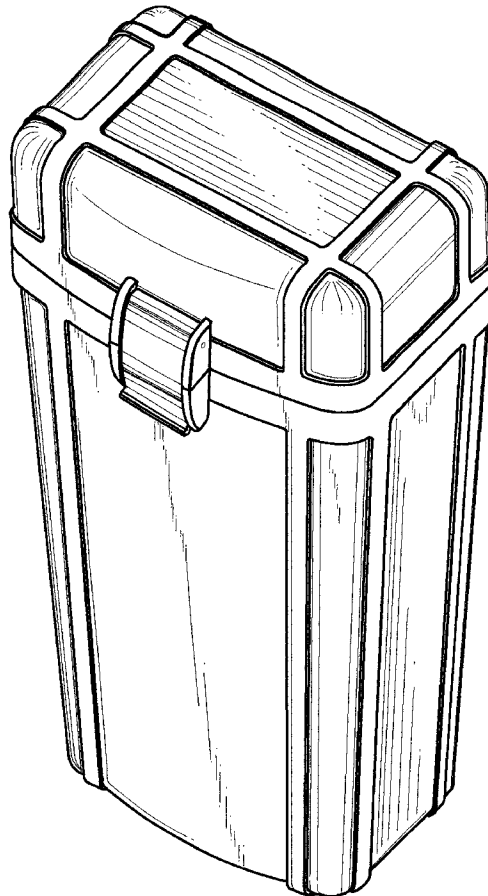
(57) **CLAIM**

The ornamental design for a water-tight container, as shown.

DESCRIPTION

FIG. 1 is a front perspective view of a water-tight container of our design;
FIG. 2 is a top plan view thereof;
FIG. 3 is a front elevational view thereof;
FIG. 4 is a bottom plan view thereof;
FIG. 5 is a right side elevational view thereof;
FIG. 6 is a left side elevational view thereof;
FIG. 7 is a rear elevational view thereof;
FIG. 8 is a front perspective view of a second embodiment of a water-tight container, the second embodiment being identical to the first, save for proportions and the addition of a rear clip;
FIG. 9 is a rear perspective view of FIG. 8; and,
FIG. 10 is a rear perspective view of a third embodiment of a water-tight container, the third embodiment being identical to the first, save for proportions and the addition of a rear clip.

1 Claim, 6 Drawing Sheets



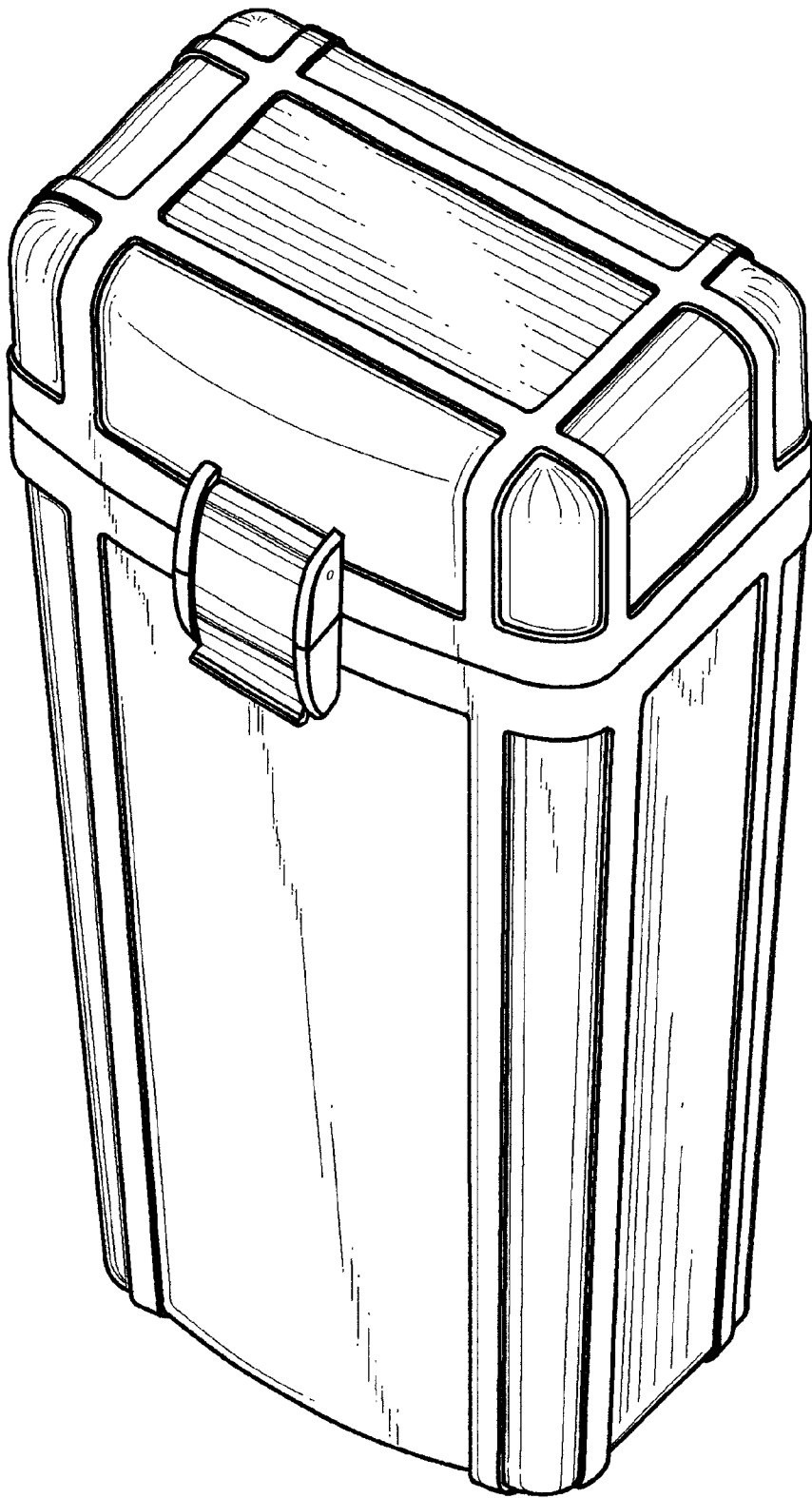


FIGURE 1

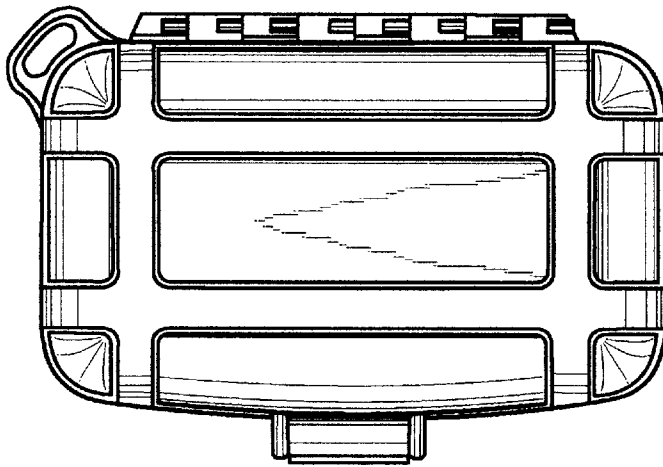


FIGURE 2

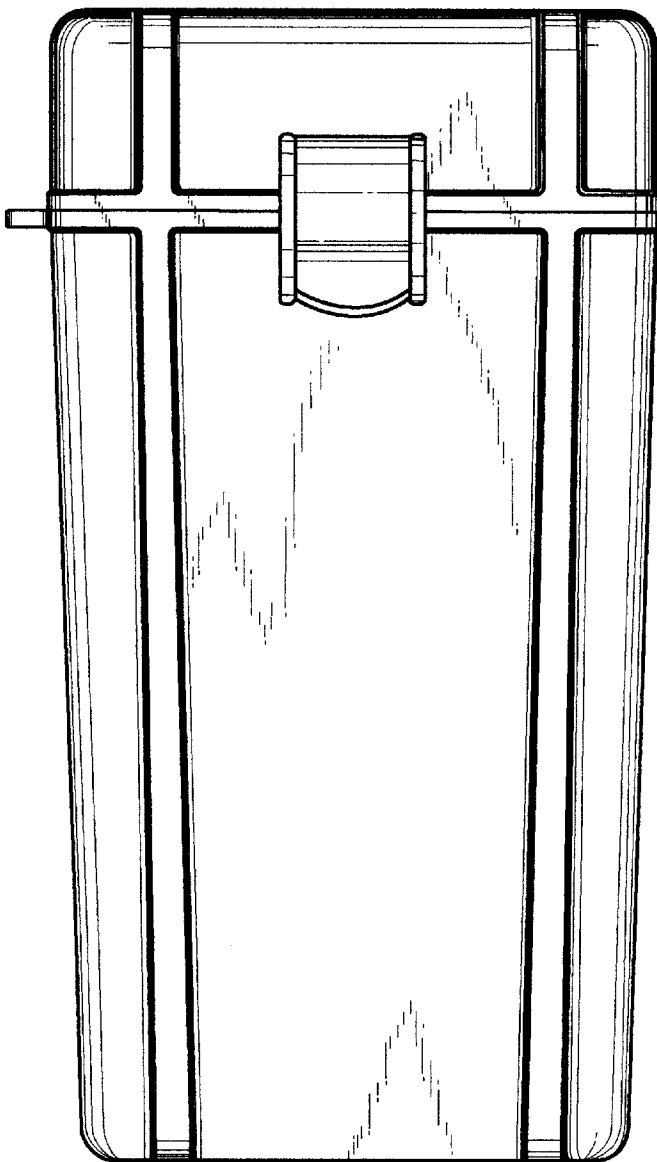


FIGURE 3

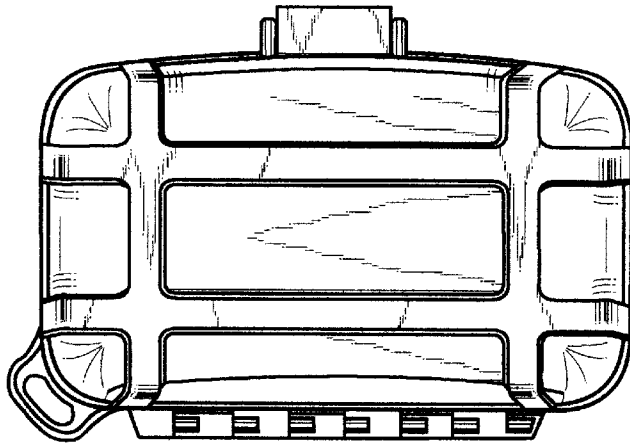


FIGURE 4

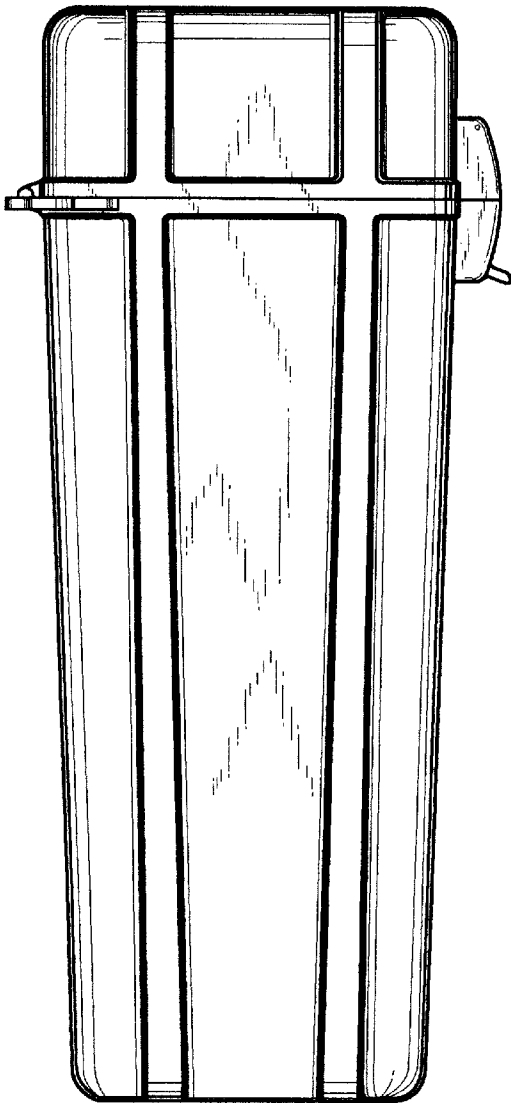


FIGURE 5

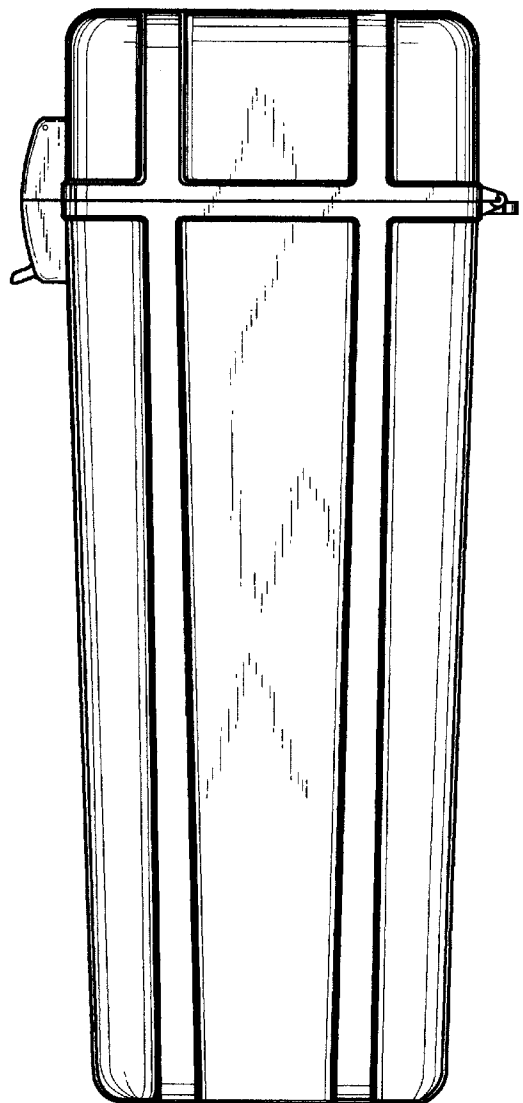


FIGURE 6

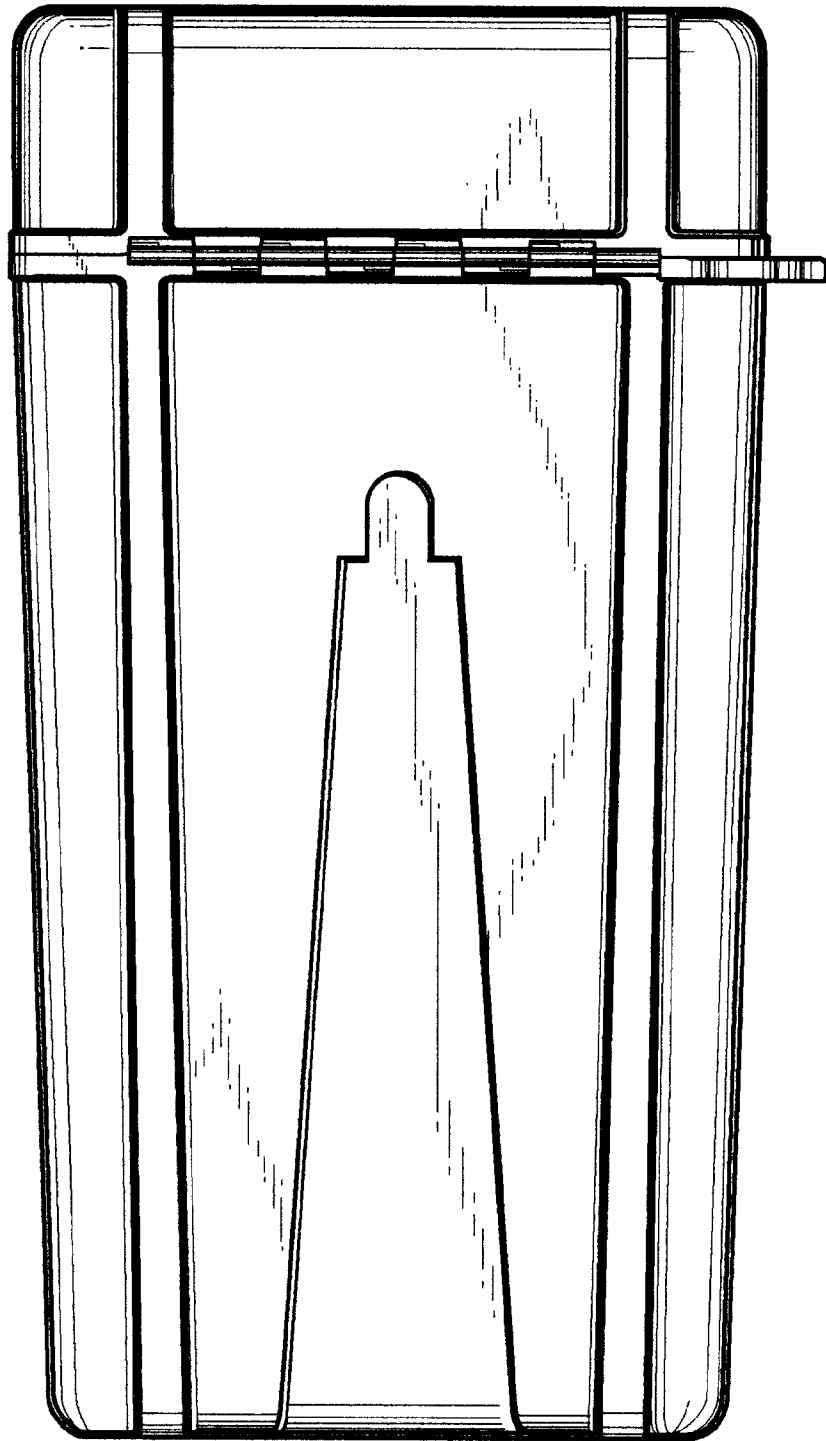


FIGURE 7

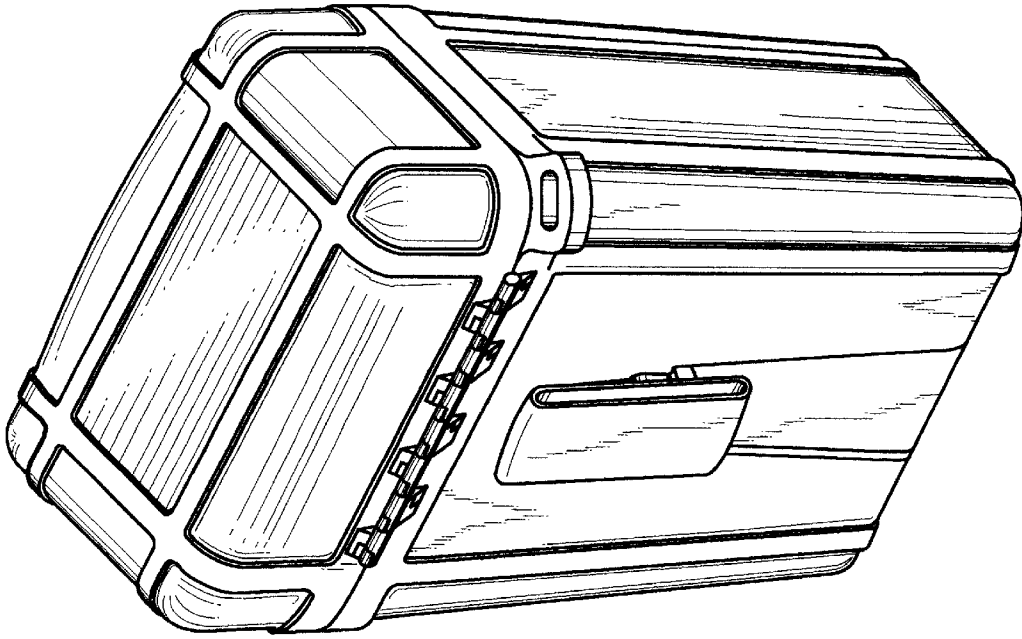


FIGURE 9

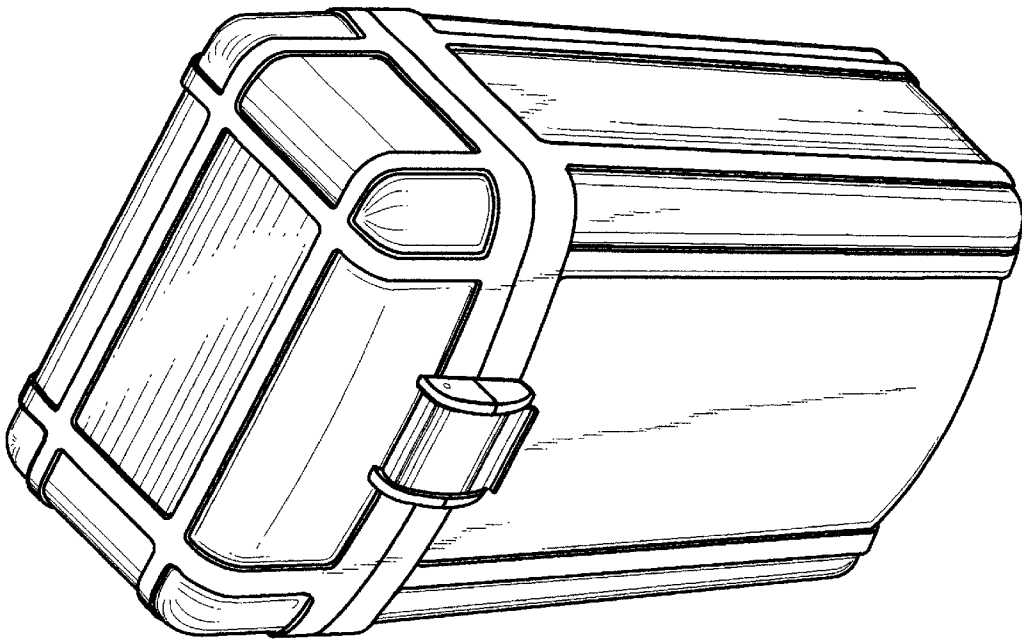


FIGURE 8

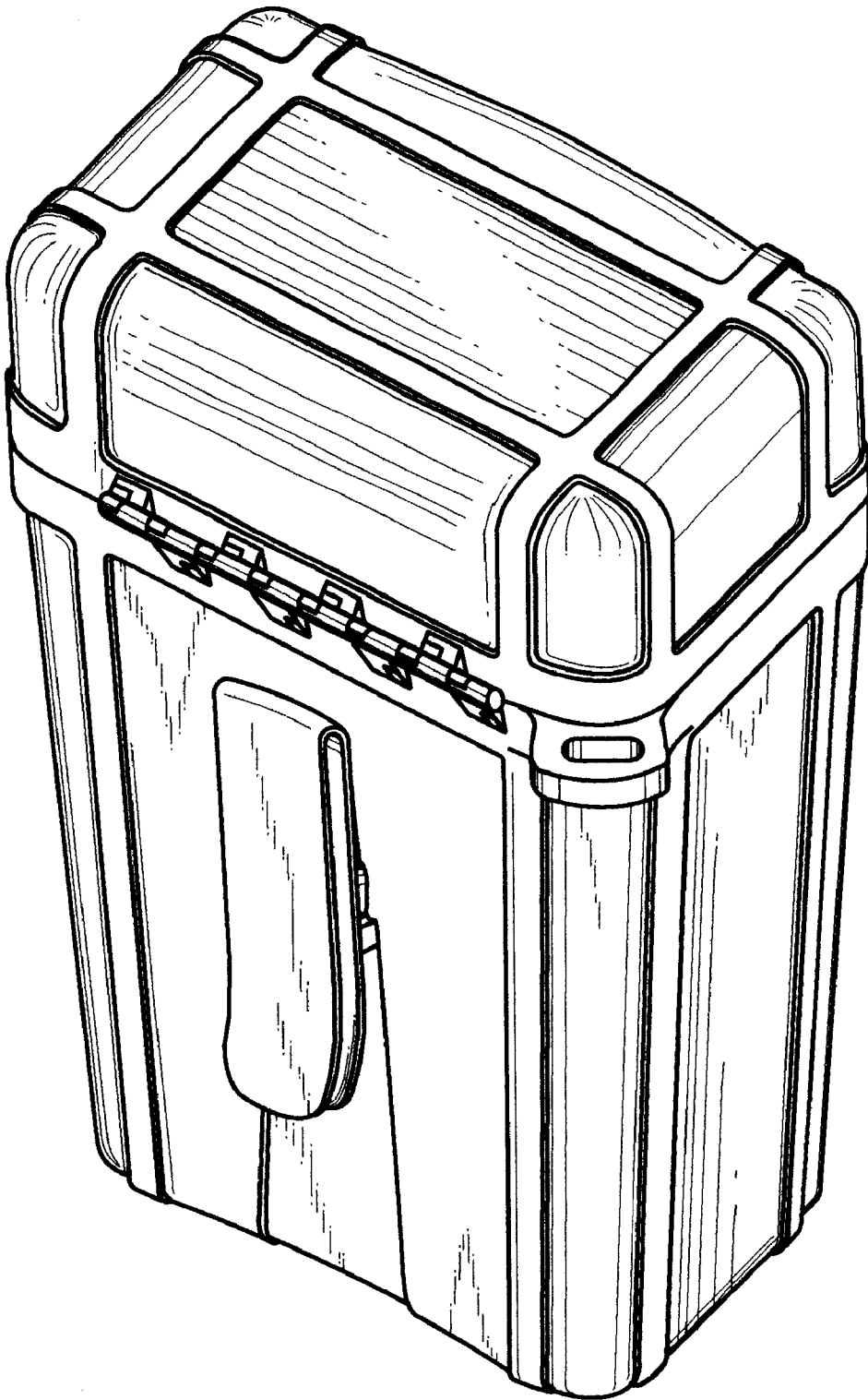


FIGURE 10